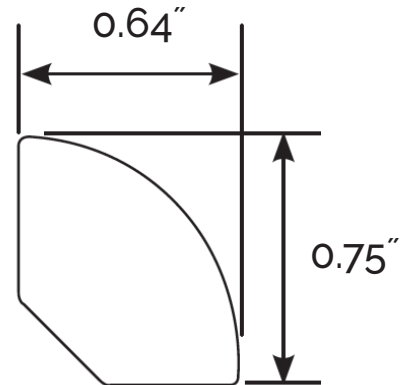
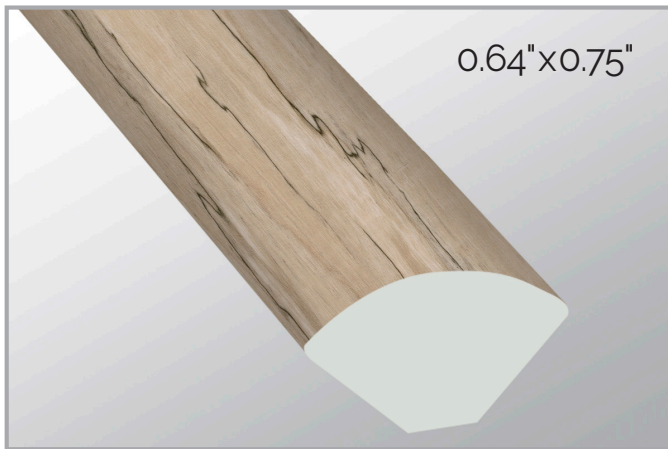


QUARTER ROUND

Quarter round is used to cover the expansion gap between the floor and the wall.



Installation

