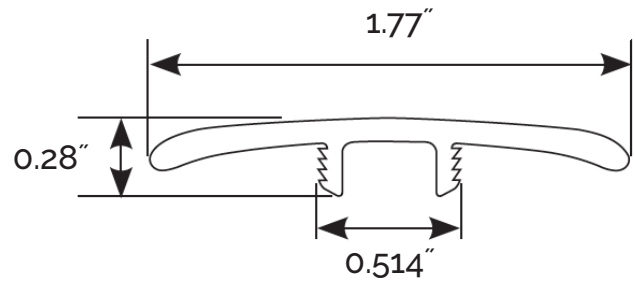


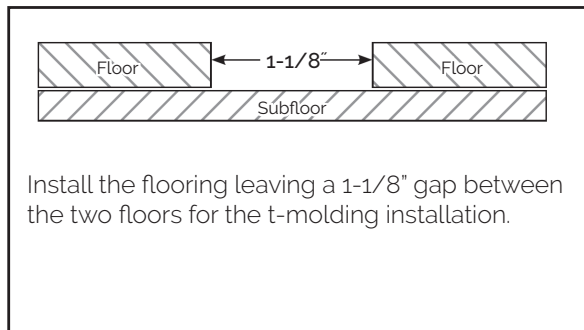
T-MOLDING

T-Moldings are used to fill the gap between two floors of equal height.

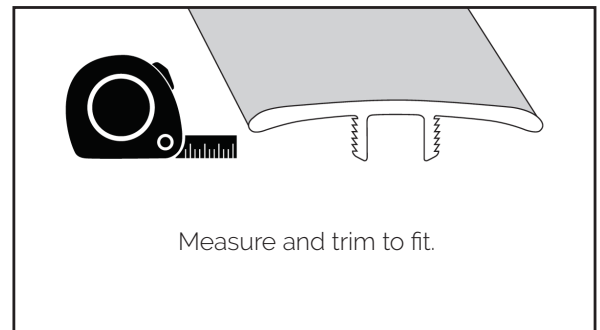


Installation

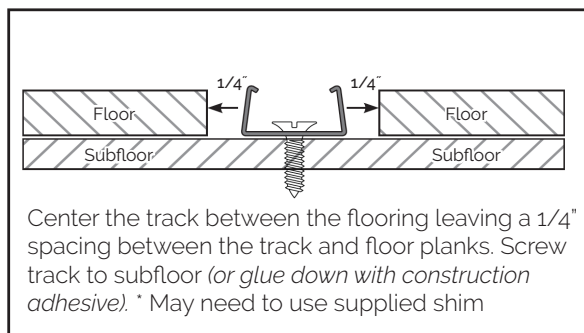
1.



2.



3.



4.

