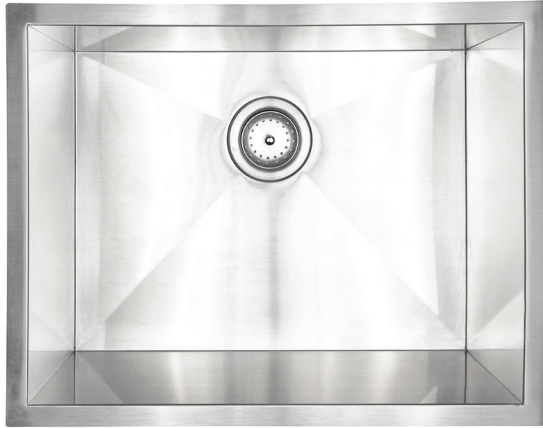


# MSI STAINLESS STEEL SINKS

## SINGLE BOWL HANDCRAFTED 2318



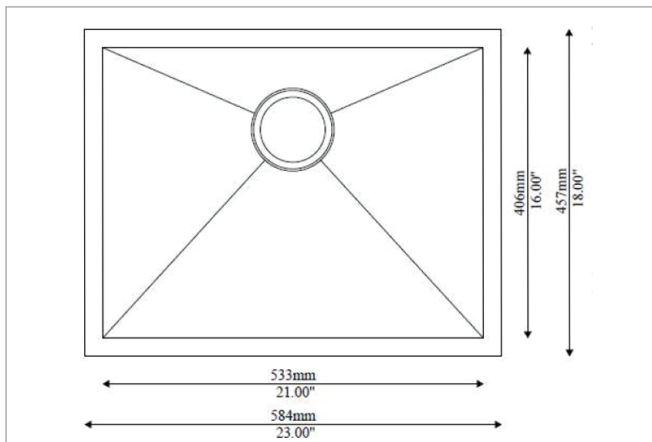
### SIN-16-SINBWL-WEL-2318

This handcrafted stainless-steel sink has a contemporary look that's sure to earn compliments.

Constructed with 16-gauge stainless steel for reliable durability, it offers one generously sized basin that's 10" deep. An ideal choice for those who don't want to sacrifice style for practicality, this sink is not only handsome, it includes sound shielding pads as well as a gorgeous muted finish that helps minimize water spots and small scratches.

Long lasting quality and elegance come together in this popular sink.

#### DRAWING:



# SPECS

Overall Size: **23" x 18"**

Bowl Size: **21" x 16"**

Thickness: **16G**

Depth: **10"**

Drain Opening: **3½"**

Type: **Handcrafted**

Finish: **Satin Brushed**

Stainless Steel Grade: **304**

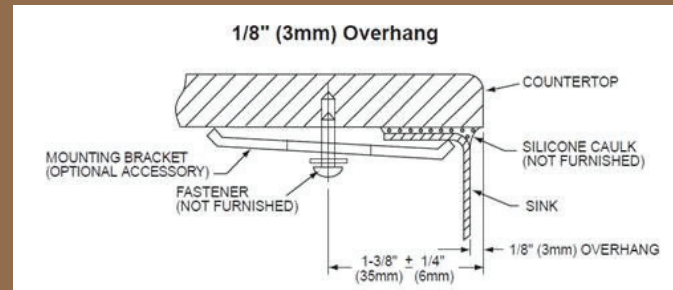
Minimum Cabinet Size: **26"**

Matching Grid: **SIN-16-GRID-WEL-2318**

Sound dampening pad with spray undercoating



These sinks are listed by the International Association of Plumbing and Mechanical Officials as meeting the requirements of the Uniform Plumbing Code.



Electronic Template Mounting Option  
(Download DXF File from [www.msisurfaces.com](http://www.msisurfaces.com))  
NOTE: THIS UNDERMOUNT SINK IS DESIGNED TO MOUNT TO SOLID SURFACE (NON-LAMINATE) COUNTERTOP ONLY.

# MSI

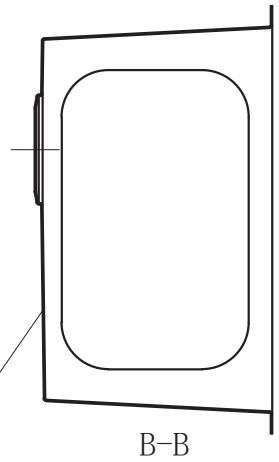
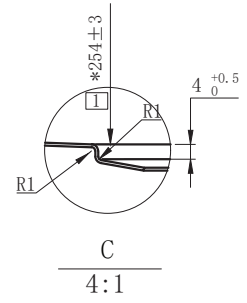
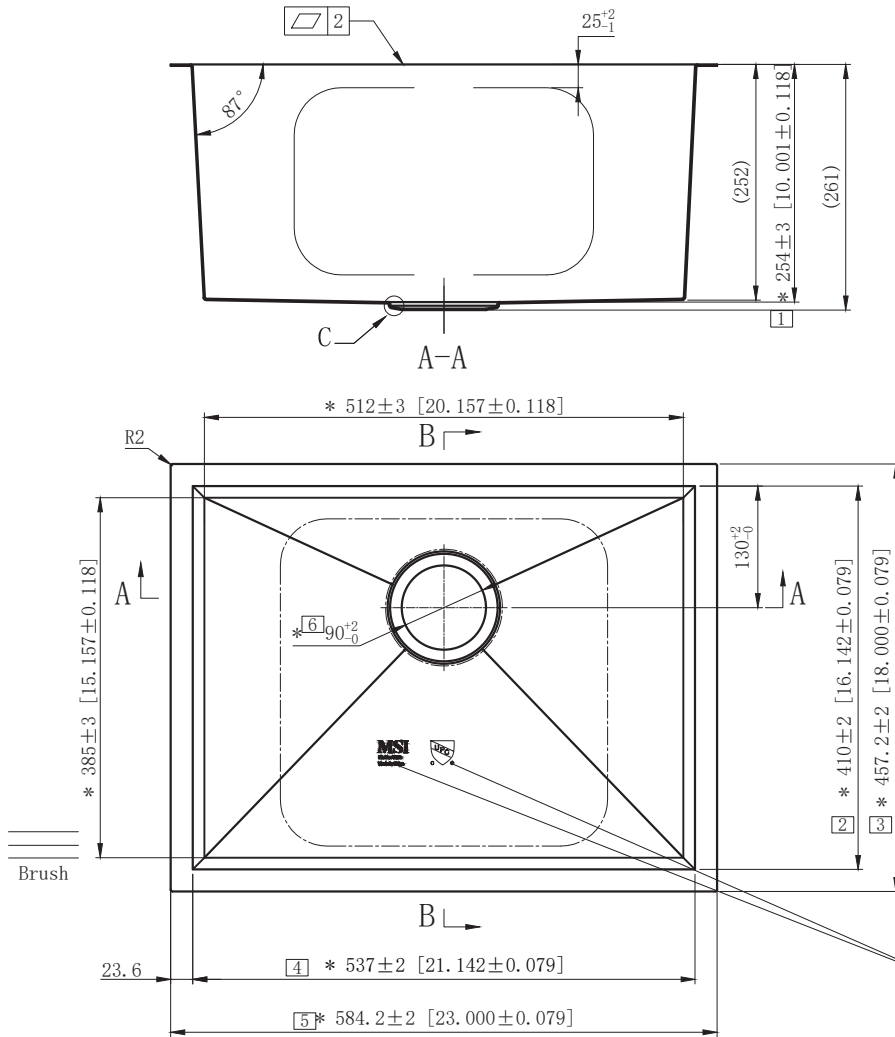
Making Dream Surfaces Attainable

2095 N. Batavia St Orange, CA 92865

Phone: (714) 685-7500

Fax: (714) 685-7600

[www.msisurfaces.com](http://www.msisurfaces.com)



MSI and UPC are stamped on the undercoating of sink bottom