

# MSI STAINLESS STEEL SINKS

## SINGLE BOWL HANDCRAFTED 3219



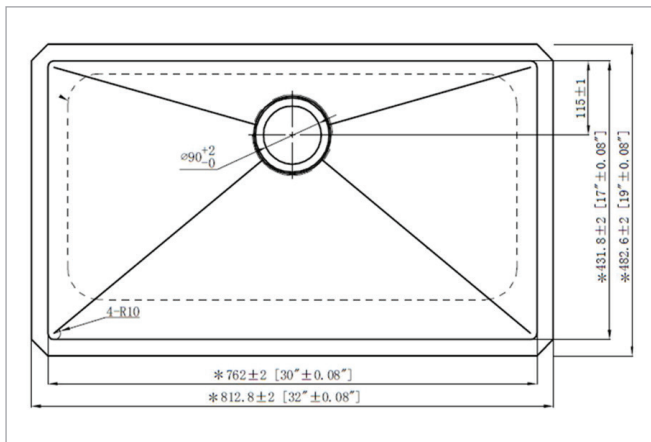
### SIN-16-SINBWL-WEL-3219

This handcrafted single bowl stainless steel undermount sink is just what the chef ordered. Constructed with 16-gauge stainless steel for reliable durability, it offers one generously sized 30x17" basin that's 10" deep.

Big family dinners? No problem. This hardworking sink can handle oversized cookware like stockpots, slow cookers, and baking sheets. An ideal choice for busy homes and light commercial environments, this sink includes innovative sound shielding pads as well as a beautiful brushed satin finish that helps minimize water spots and small scratches.

Long lasting quality and elegance come together in this popular large basin sink. **Matching grid and strainer included.**

#### DRAWING:



# SPECS

Overall Size: **32" x 19"**

Bowl Size: **30" x 17"**

Thickness: **16G**

Depth: **10"**

Drain Opening: **3½"**

Type: **Handcrafted**

Finish: **Satin Brushed**

Stainless Steel Grade: **304**

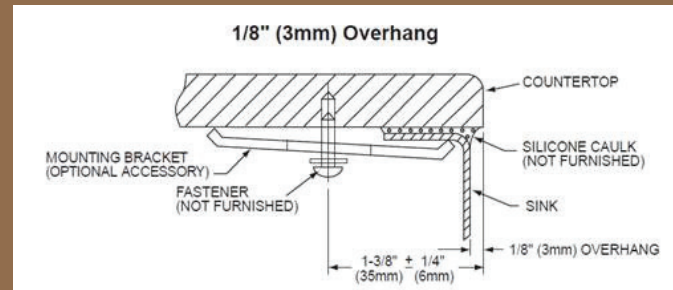
Minimum Cabinet Size: **35"**

Matching Grid: **SIN-16-GRID-WEL-3219**

Sound dampening pad with spray undercoating



These sinks are listed by the International Association of Plumbing and Mechanical Officials as meeting the requirements of the Uniform Plumbing Code.



Electronic Template Mounting Option  
(Download DXF File from [www.msisurfaces.com](http://www.msisurfaces.com))  
NOTE: THIS UNDERMOUNT SINK IS DESIGNED TO MOUNT TO SOLID SURFACE (NON-LAMINATE) COUNTERTOP ONLY.

# MSI

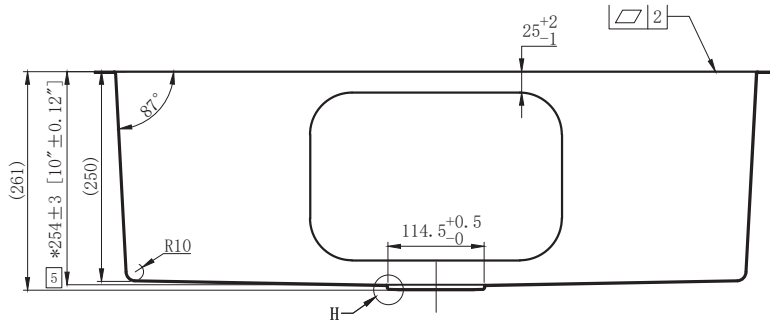
Making Dream Surfaces Attainable

2095 N. Batavia St Orange, CA 92865

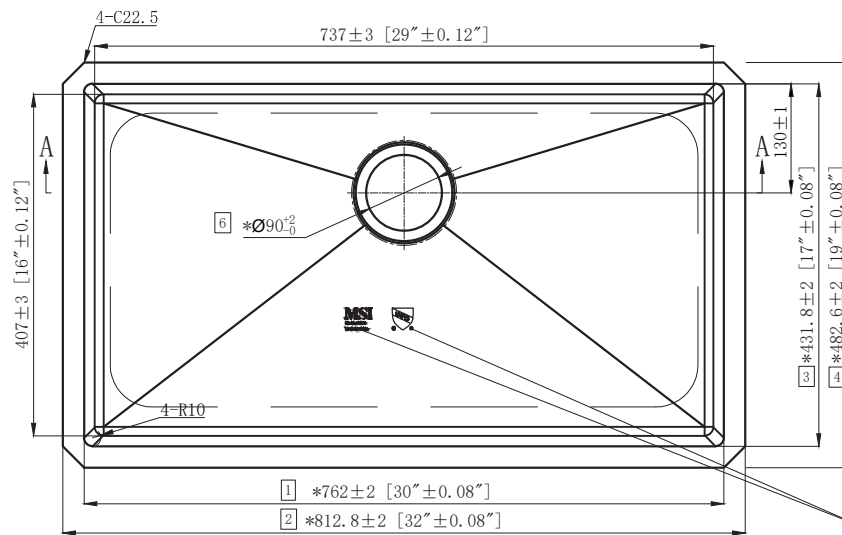
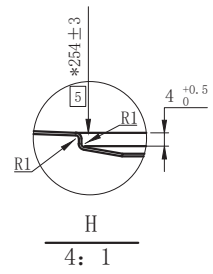
Phone: (714) 685-7500

Fax: (714) 685-7600

[www.msisurfaces.com](http://www.msisurfaces.com)



A-A



Brush

MSI and UPC are stamped on the undercoating of sink bottom