

# MSI STAINLESS STEEL SINKS

## OVERMOUNT 50/50-3322



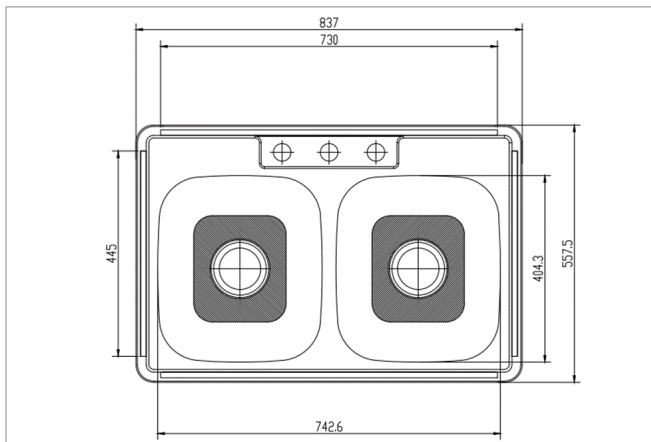
## SIN-18-ODBLBWL-5050-3322

Elevate your kitchen with our sophisticated 33" x 22" Double Bowl Sink, featuring a balanced 50/50 split with each basin measuring 14" wide. Crafted from durable 18-gauge stainless steel, this overmount sink seamlessly blends style and functionality.

Ideal for islands, bar areas, laundries, and outdoor kitchens, the interior rounded corners add a touch of elegance. The 8" deep basins offer ample space for multitasking, complemented by an easy-to-clean surface for hassle-free maintenance.

Enjoy a quiet washing experience with integrated sound shielding pads, while the brushed satin finish not only enhances the sink's modern aesthetic but also minimizes the appearance of water spots and small scratches. Transform your kitchen with this double bowl cutout sink, where practicality meets timeless design.

### DRAWING:



# SPECS

Finish: 33" x 22"

Bowl Size 1: 14" x 16"

Bowl Size 2: 14" x 16"

Thickness: 18G

Depth: 8"/ 8"

Drain Opening: 3½"

Installation: Overmount

Finish: Satin Brushed

Stainless Steel Grade: 304

Minimum Cabinet Size: 36"

Sound dampening pad with spray undercoating



These sinks are listed by the International Association of Plumbing and Mechanical Officials as meeting the requirements of the Uniform Plumbing Code.

Electronic Template Mounting Option  
(Download DXF File from [www.msisurfaces.com](http://www.msisurfaces.com))

NOTE: THIS OVERMOUNT SINK IS DESIGNED TO MOUNT TO SOLID SURFACE (NON-LAMINATE) COUNTERTOP ONLY.

# MSI

Making Dream Surfaces Attainable

2095 N. Batavia St Orange, CA 92865

Phone: (714) 685-7500

Fax: (714) 685-7600

[www.msisurfaces.com](http://www.msisurfaces.com)

