

MSI STAINLESS STEEL SINKS

SINGLE BOWL 1210



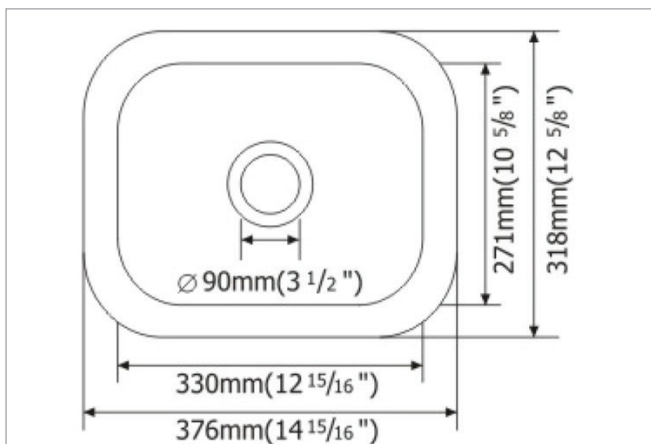
SIN-18-SINBWL-1210

This single bowl 18-gauge stainless steel undermount sink with rounded corners is the perfect choice for islands, bar areas, laundries, and outdoor kitchens.

Sized to accommodate smaller spaces, its 7" deep basin and easy to clean surface make this sink a popular choice.

With sound shielding pads that help ensure a quiet washing experience to a beautiful brushed satin finish that minimizes water spots and small scratches, this sink works overtime to exceed your expectations.

DRAWING:



SPECS

Overall Size: $14\frac{15}{16}$ " x $12\frac{5}{8}$ "

Bowl Size: $12\frac{15}{16}$ " x $10\frac{5}{8}$ "

Thickness: **18G**

Depth: **7"**

Drain Opening: **3½"**

Installation: **Undermount**

Finish: **Satin Brushed**

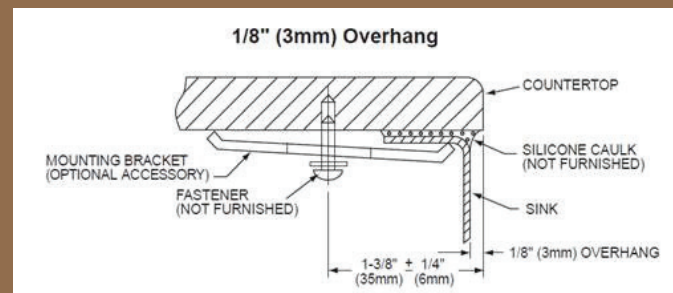
Stainless Steel Grade: **304**

Minimum Cabinet Size: **16"**

Sound dampening pad with spray undercoating



These sinks are listed by the International Association of Plumbing and Mechanical Officials as meeting the requirements of the Uniform Plumbing Code.



Electronic Template Mounting Option
(Download DXF File from www.msisurfaces.com)

NOTE: THIS UNDERMOUNT SINK IS DESIGNED TO MOUNT TO SOLID SURFACE (NON-LAMINATE) COUNTERTOP ONLY.

MSI

Making Dream Surfaces Attainable

2095 N. Batavia St Orange, CA 92865

Phone: (714) 685-7500

Fax: (714) 685-7600

www.msisurfaces.com

