

MSI STAINLESS STEEL SINKS

SINGLE BOWL 1618



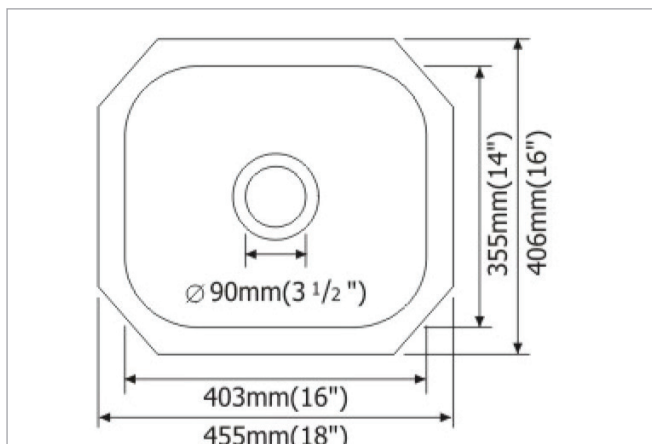
SIN-18-SINBWL-1618

This single bowl 18-gauge stainless steel undermount sink with rounded corners is the perfect choice for islands, bar areas, laundries, and outdoor kitchens.

Sized to fit smaller spaces, its generous 8" deep basin and easy to clean surface make this sink a popular choice. With innovative sound shielding pads for a quiet washing experience to a beautiful brushed satin finish that minimizes water spots and small scratches, this sink works overtime to ensure your satisfaction.

Strainer included and stainless-steel grid available as an option.

DRAWING:



SPECS

Overall Size: 18" x 16"

Bowl Size: 16" x 14"

Thickness: 18G

Depth: 8"

Drain Opening: 3 1/2"

Installation: Undermount

Finish: Satin Brushed

Stainless Steel Grade: 304

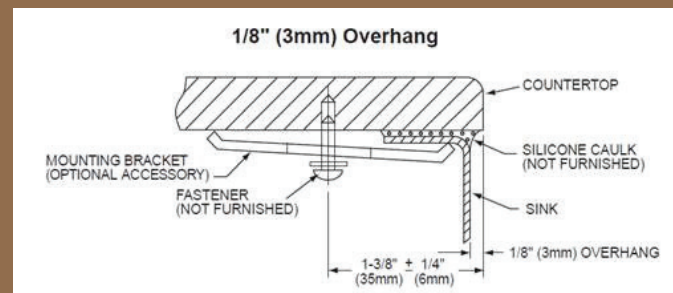
Minimum Cabinet Size: 19"

Matching Grid: SIN-18-GRID-1618

Sound dampening pad with spray undercoating



These sinks are listed by the International Association of Plumbing and Mechanical Officials as meeting the requirements of the Uniform Plumbing Code.



Electronic Template Mounting Option

(Download DXF File from www.msisurfaces.com)

NOTE: THIS UNDERMOUNT SINK IS DESIGNED TO MOUNT TO SOLID SURFACE (NON-LAMINATE) COUNTERTOP ONLY.

MSI

Making Dream Surfaces Attainable

2095 N. Batavia St Orange, CA 92865

Phone: (714) 685-7500

Fax: (714) 685-7600

www.msisurfaces.com

