

# MSI STAINLESS STEEL SINKS

## SINGLE CUTOUT 50/50-3218



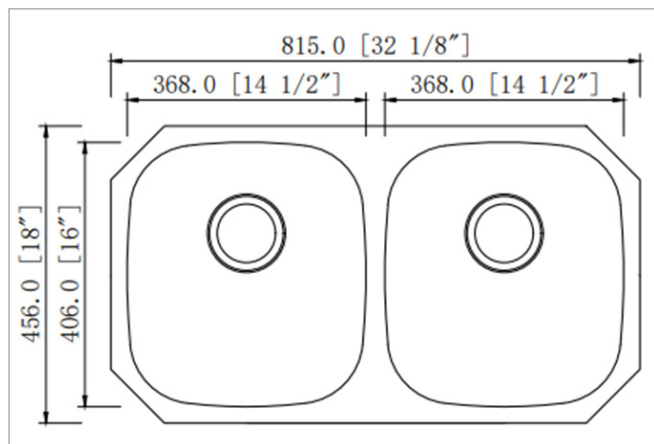
## SINSCO-18-DBLBWL-5050-3218

Enhance your kitchen's functionality with this sleek 32" x 18" Double Bowl Cutout Sink, featuring two 14" wide 18-gauge stainless steel basins seamlessly integrated into an undermount design.

Perfect for islands, bar areas, laundries, and outdoor kitchens, the interior rounded corners add a touch of elegance. The 9" deep basins provide ample space for multitasking, complemented by an easy-to-clean surface for hassle-free maintenance. Experience a peaceful washing environment with sound shielding pads, while the brushed satin finish not only contributes to a modern aesthetic but also minimizes the visibility of water spots and minor scratches.

Elevate your space with this versatile and stylish double bowl cutout sink, combining practicality and sophistication effortlessly

### DRAWING:



# SPECS

Finish: **32 1/8" x 18"**

Bowl Size 1: **14 1/2" x 16"**

Bowl Size 2: **14 1/2" x 16"**

Thickness: **18G**

Depth: **9" / 9"**

Drain Opening: **3 1/2"**

Installation: **Undermount**

Finish: **Satin Brushed**

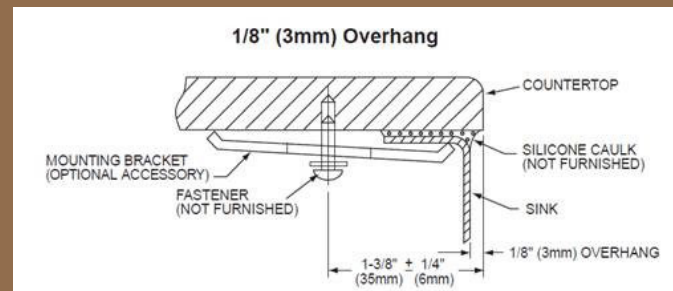
Stainless Steel Grade: **304**

Minimum Cabinet Size: **36"**

Sound dampening pad with spray undercoating



These sinks are listed by the International Association of Plumbing and Mechanical Officials as meeting the requirements of the Uniform Plumbing Code.



Electronic Template Mounting Option  
(Download DXF File from [www.msisurfaces.com](http://www.msisurfaces.com))

NOTE: THIS UNDERMOUNT SINK IS DESIGNED TO MOUNT TO SOLID SURFACE (NON-LAMINATE) COUNTERTOP ONLY.

# MSI

Making Dream Surfaces Attainable

2095 N. Batavia St Orange, CA 92865

Phone: (714) 685-7500

Fax: (714) 685-7600

[www.msisurfaces.com](http://www.msisurfaces.com)

