

MSI STAINLESS STEEL SINKS

SINGLE CUTOUT 60/40 OR 40/60-3218



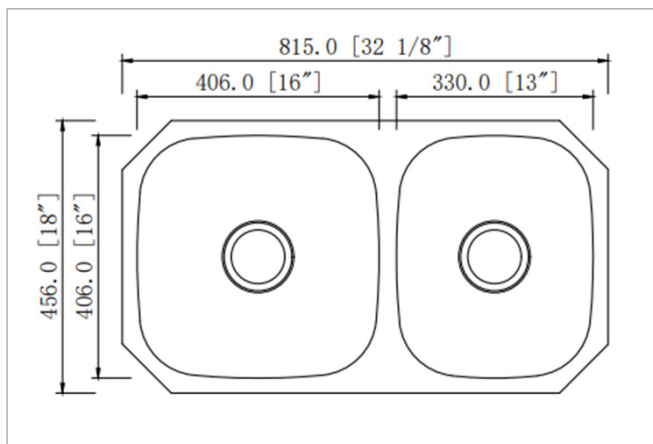
SINSCO-18-DBLBWL-6040-3218

Upgrade your kitchen with our versatile 32" x 18" Double Bowl Cutout Sink, featuring a unique 60/40 split. The larger basin, measuring 16" wide and 9" deep, is complemented by the smaller basin, measuring 13" wide and 7" deep, providing flexibility for various tasks.

Install it as a 60/40 or 40/60 configuration to suit your preferences. Crafted from durable 18-gauge stainless steel, this undermount sink boasts interior rounded corners, making it a stylish addition to islands, bar areas, laundries, and outdoor kitchens. The easy-to-clean surface ensures convenient maintenance, while sound shielding pads guarantee a quiet washing experience.

Finished with a brushed satin finish that minimizes water spots and small scratches, this double bowl cutout sink effortlessly combines functionality and aesthetic appeal for a modern kitchen upgrade.

DRAWING:



SPECS

Finish: 32 $\frac{1}{8}$ " x 18"

Bowl Size 1: 16" x 16"

Bowl Size 2: 13" x 16"

Thickness: 18G

Depth: 9" / 9"

Drain Opening: 3 $\frac{1}{2}$ "

Installation: Undermount

Finish: Satin Brushed

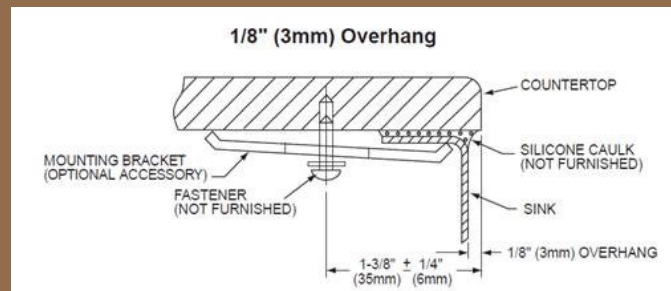
Stainless Steel Grade: 304

Minimum Cabinet Size: 36"

Sound dampening pad with spray undercoating



These sinks are listed by the International Association of Plumbing and Mechanical Officials as meeting the requirements of the Uniform Plumbing Code.



Electronic Template Mounting Option

(Download DXF File from www.msisurfaces.com)

NOTE: THIS UNDERMOUNT SINK IS DESIGNED TO MOUNT TO SOLID SURFACE (NON-LAMINATE) COUNTERTOP ONLY.

MSI

Making Dream Surfaces Attainable

2095 N. Batavia St Orange, CA 92865

Phone: (714) 685-7500

Fax: (714) 685-7600

www.msisurfaces.com

