

# MSI STAINLESS STEEL SINKS

## SINGLE CUTOUT SINGLE BOWL

### 3218



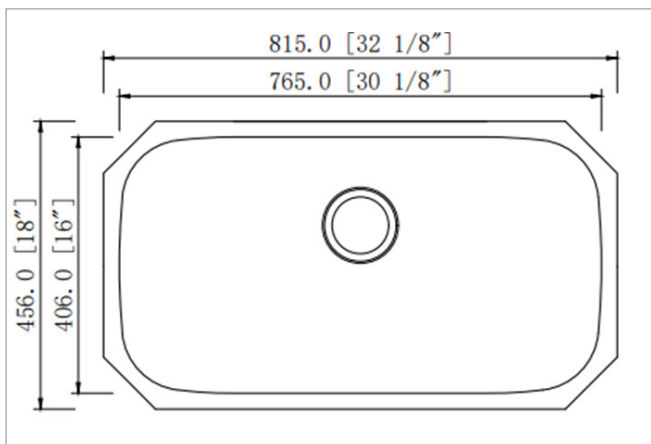
## SINSICO-18-SINBWL-3218

Elevate your kitchen or entertainment area with this sophisticated 32" x 18" Single Cutout Sink. Crafted from durable 18-gauge stainless steel, this undermount sink boasts an elongated design with interior rounded corners, making it ideal for islands, bar areas, laundries, and outdoor kitchens.

The 9" deep basin provides ample space for various tasks, while the easy-to-clean surface ensures convenient maintenance. Enjoy a quiet washing experience with sound shielding pads, and appreciate the brushed satin finish that not only enhances the sink's modern aesthetic but also minimizes the appearance of water spots and small scratches.

Upgrade your space with this sleek and functional single cutout sink that seamlessly combines style and practicality.

### DRAWING:



# SPECS

Finish: 32½" x 18"

Bowl Size: 30½" x 16"

Thickness: 18G

Depth: 9"

Drain Opening: 3½"

Installation: Undermount

Finish: Satin Brushed

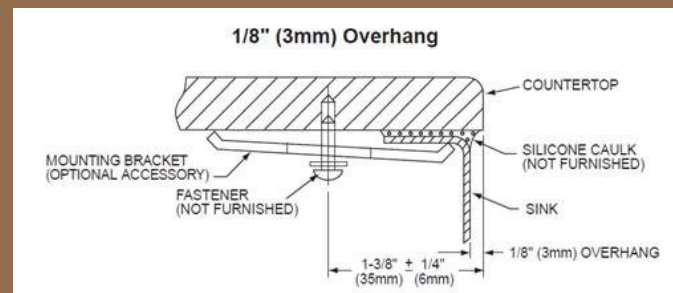
Stainless Steel Grade: 304

Minimum Cabinet Size: 36"

Sound dampening pad with spray undercoating



These sinks are listed by the International Association of Plumbing and Mechanical Officials as meeting the requirements of the Uniform Plumbing Code.



Electronic Template Mounting Option  
(Download DXF File from [www.msisurfaces.com](http://www.msisurfaces.com))

NOTE: THIS UNDERMOUNT SINK IS DESIGNED TO MOUNT TO SOLID SURFACE (NON-LAMINATE) COUNTERTOP ONLY.

# MSI

Making Dream Surfaces Attainable

2095 N. Batavia St Orange, CA 92865

Phone: (714) 685-7500

Fax: (714) 685-7600

[www.msisurfaces.com](http://www.msisurfaces.com)

