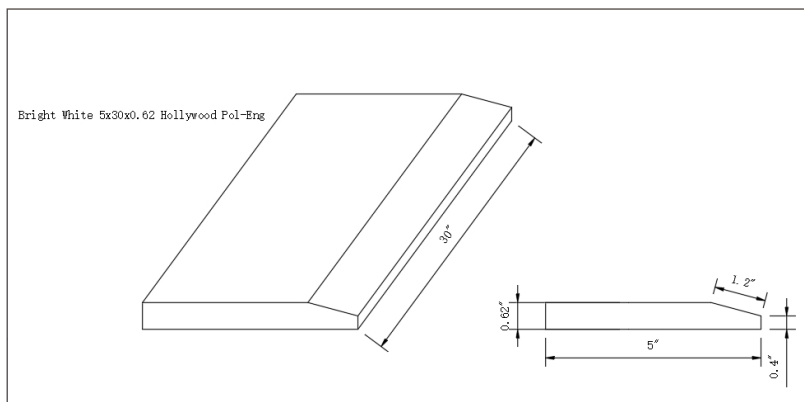


## Bright White 5x30x0.62 Single Hollywood



**THD2BRIWHI5X30SHL**

### DRAWING:



## SPECS

Size: **5"x30"**

Thickness: **0.62"**

Primary Color: **White-Cool**

Finish: **Polished**

Material Type: **Engineered Marble**

Application	Residential	Commercial
Counterotps	No	No
Flooring	Yes	Yes
Wall	No	No

• **WARNING:** This product can expose you to chemicals including crystalline silica which is known to the State of California to cause cancer. For more information go to [www.P65Warnings.ca.gov](http://www.P65Warnings.ca.gov).

**CAUTION:** SILICA DUST HARMFUL IF INHALED. Exposure to silica dust from cutting, grinding, or polishing can cause acute lung injury, silicosis, or cancer. Wear a respirator when cutting, grinding, or polishing. Use wet cutting methods and do not dry cut. Children should not be present during cutting, grinding, or polishing.

2095 N. Batavia St Orange, CA 92865

Phone: (714) 685-7500

Fax: (714) 685-7600

[www.msisurfaces.com](http://www.msisurfaces.com)