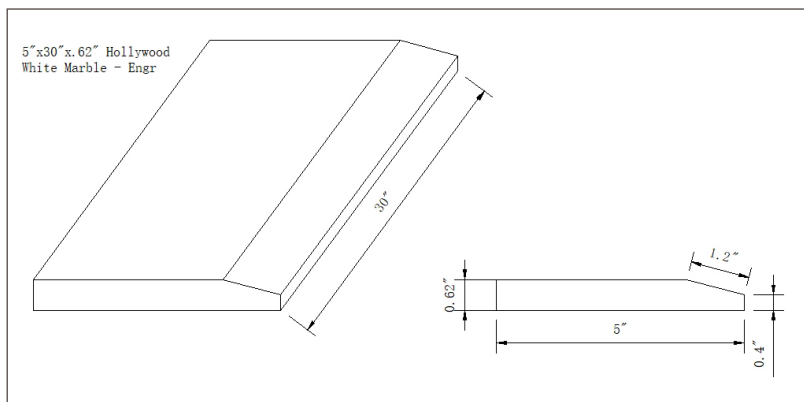


White Marble 5x30 Single Hollywood



THD2WH5X30SHL

DRAWING:



SPECS

Size: **5"x30"**

Thickness: **0.62"**

Primary Color: **White**

Finish: **Polished**

Material Type: **Engineered Marble**

Application	Residential	Commercial
Countertops	No	No
Flooring	Yes	Yes
Wall	No	No

• **WARNING:** This product can expose you to chemicals including crystalline silica which is known to the State of California to cause cancer. For more information go to www.P65Warnings.ca.gov.

CAUTION: SILICA DUST HARMFUL IF INHALED. Exposure to silica dust from cutting, grinding, or polishing can cause acute lung injury, silicosis, or cancer. Wear a respirator when cutting, grinding, or polishing. Use wet cutting methods and do not dry cut. Children should not be present during cutting, grinding, or polishing.

2095 N. Batavia St Orange, CA 92865
 Phone: (714) 685-7500
 Fax: (714) 685-7600
www.msisurfaces.com