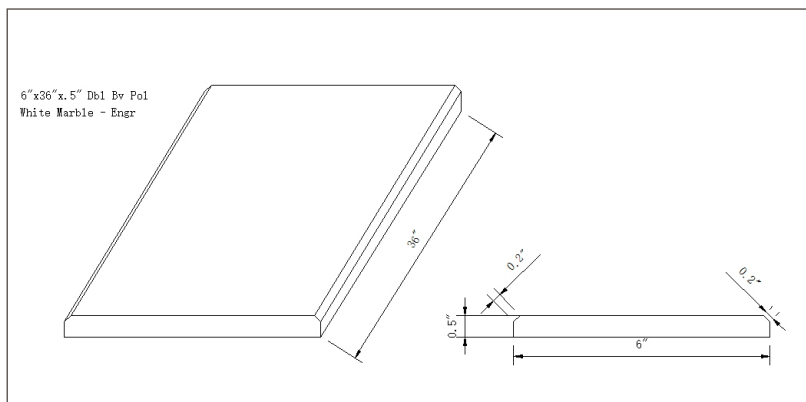


## White Marble 6x36 Double Beveled



THD2WH6X36DB

### DRAWING:



## SPECS

Size: **6"x36"**

Thickness: **0.62"**

Primary Color: **White**

Finish: **Polished**

Material Type: **Engineered Marble**

Application	Residential	Commercial
Counterotps	No	No
Flooring	Yes	Yes
Wall	No	No

• **WARNING:** This product can expose you to chemicals including crystalline silica which is known to the State of California to cause cancer. For more information go to [www.P65Warnings.ca.gov](http://www.P65Warnings.ca.gov).

**CAUTION:** SILICA DUST HARMFUL IF INHALED. Exposure to silica dust from cutting, grinding, or polishing can cause acute lung injury, silicosis, or cancer. Wear a respirator when cutting, grinding, or polishing. Use wet cutting methods and do not dry cut. Children should not be present during cutting, grinding, or polishing.

2095 N. Batavia St Orange, CA 92865  
 Phone: (714) 685-7500  
 Fax: (714) 685-7600  
[www.msisurfaces.com](http://www.msisurfaces.com)