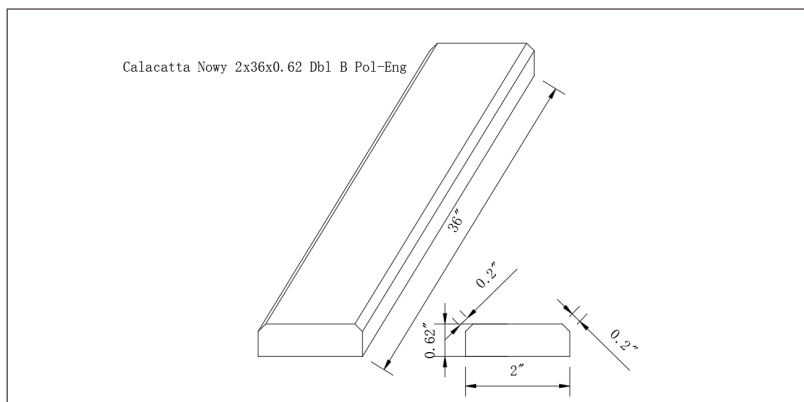


## Calacatta Nowy 2x36x0.62 Double Beveled



**THD2CALNOW2X36DB**

### DRAWING:



## SPECS

Size: **2"x36"**

Thickness: **0.62"**

Primary Color: **White-Warm**

Finish: **Polished**

Material Type: **Engineered Marble**

Application	Residential	Commercial
Countertops	No	No
Flooring	Yes	Yes
Wall	No	No

• **WARNING:** This product can expose you to chemicals including crystalline silica which is known to the State of California to cause cancer. For more information go to [www.P65Warnings.ca.gov](http://www.P65Warnings.ca.gov).

**CAUTION:** SILICA DUST HARMFUL IF INHALED. Exposure to silica dust from cutting, grinding, or polishing can cause acute lung injury, silicosis, or cancer. Wear a respirator when cutting, grinding, or polishing. Use wet cutting methods and do not dry cut. Children should not be present during cutting, grinding, or polishing.

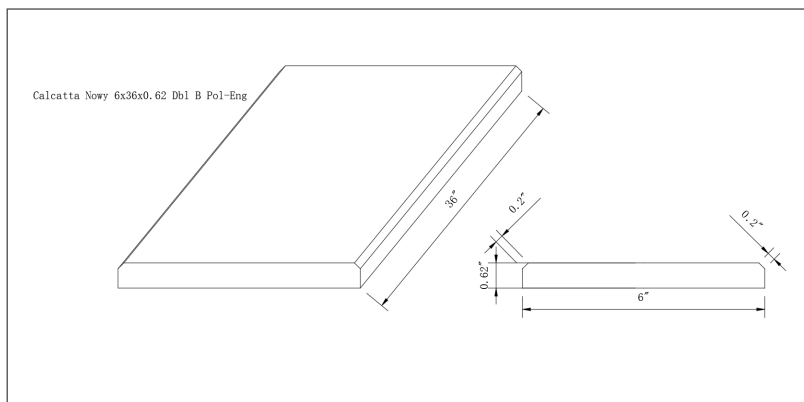
2095 N. Batavia St Orange, CA 92865  
Phone: (714) 685-7500  
Fax: (714) 685-7600  
[www.msisurfaces.com](http://www.msisurfaces.com)

## Calcatta Nowy 6x36x0.62 Double Beveled



**THD2CALNOW6X36DB**

### DRAWING:



## SPECS

Size: **6"x36" Radius**

Thickness: **0.62"**

Primary Color: **White-Warm**

Finish: **Polished**

Material Type: **Engineered Marble**

Application	Residential	Commercial
Counterotps	No	No
Flooring	Yes	Yes
Wall	No	No

• **WARNING:** This product can expose you to chemicals including crystalline silica which is known to the State of California to cause cancer. For more information go to [www.P65Warnings.ca.gov](http://www.P65Warnings.ca.gov).

**CAUTION:** SILICA DUST HARMFUL IF INHALED. Exposure to silica dust from cutting, grinding, or polishing can cause acute lung injury, silicosis, or cancer. Wear a respirator when cutting, grinding, or polishing. Use wet cutting methods and do not dry cut. Children should not be present during cutting, grinding, or polishing.

2095 N. Batavia St Orange, CA 92865  
Phone: (714) 685-7500  
Fax: (714) 685-7600  
[www.msisurfaces.com](http://www.msisurfaces.com)

# MSI

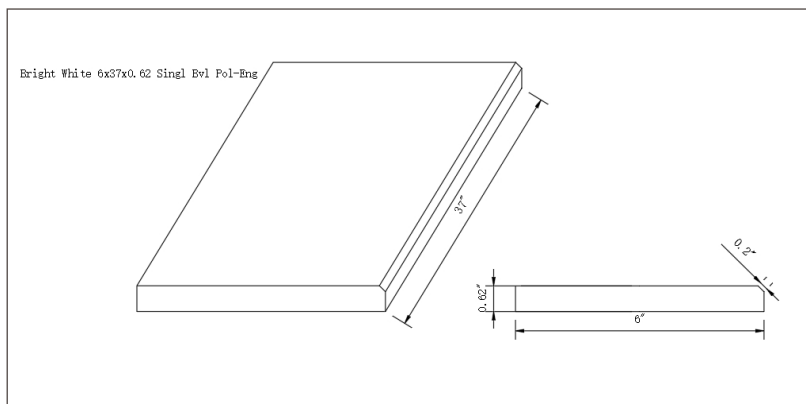
# THRESHOLD AND SILLS

## Bright White 6x37x0.62 Single Beveled



THD2BRIWHI6X37SB

### DRAWING:



## SPECS

Size: **6"x37" Radius**

Thickness: **0.62"**

Primary Color: **White-Cool**

Finish: **Polished**

Material Type: **Engineered Marble**

Application	Residential	Commercial
Countertops	No	No
Flooring	Yes	Yes
Wall	No	No

• **WARNING:** This product can expose you to chemicals including crystalline silica which is known to the State of California to cause cancer. For more information go to [www.P65Warnings.ca.gov](http://www.P65Warnings.ca.gov).

**CAUTION:** SILICA DUST HARMFUL IF INHALED. Exposure to silica dust from cutting, grinding, or polishing can cause acute lung injury, silicosis, or cancer. Wear a respirator when cutting, grinding, or polishing. Use wet cutting methods and do not dry cut. Children should not be present during cutting, grinding, or polishing.

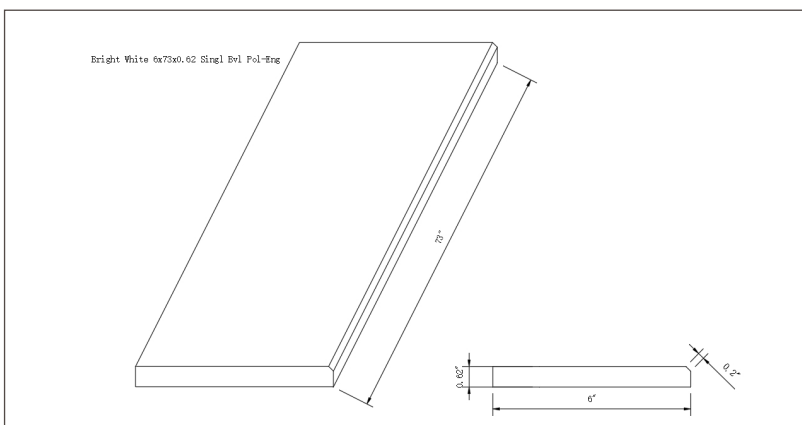
2095 N. Batavia St Orange, CA 92865  
Phone: (714) 685-7500  
Fax: (714) 685-7600  
[www.msisurfaces.com](http://www.msisurfaces.com)

**Bright White  
6x73x0.62  
Single Beveled**



**THD2BRIWHI6X73SB**

**DRAWING:**



## SPECS

Size: **6"x73"**

Thickness: **0.62"**

Primary Color: **White-Cool**

Finish: **Polished**

Material Type: **Engineered Marble**

Application	Residential	Commercial
Counterotps	No	No
Flooring	Yes	Yes
Wall	No	No

• **WARNING:** This product can expose you to chemicals including crystalline silica which is known to the State of California to cause cancer. For more information go to [www.P65Warnings.ca.gov](http://www.P65Warnings.ca.gov).

**CAUTION:** SILICA DUST HARMFUL IF INHALED. Exposure to silica dust from cutting, grinding, or polishing can cause acute lung injury, silicosis, or cancer. Wear a respirator when cutting, grinding, or polishing. Use wet cutting methods and do not dry cut. Children should not be present during cutting, grinding, or polishing.

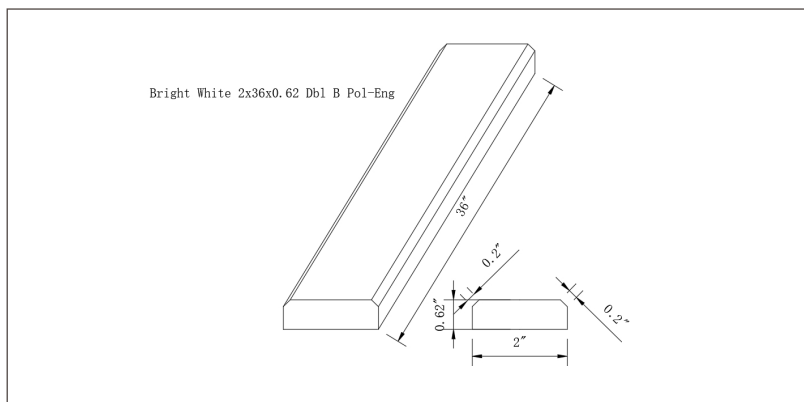
2095 N. Batavia St Orange, CA 92865  
 Phone: (714) 685-7500  
 Fax: (714) 685-7600  
[www.msisurfaces.com](http://www.msisurfaces.com)

**Bright White  
2x36x0.62  
Double Beveled**



**THD2BRIWHI2X36DB**

**DRAWING:**



## SPECS

Size: **2"x36"**

Thickness: **0.62"**

Primary Color: **White-Cool**

Finish: **Polished**

Material Type: **Engineered Marble**

Application	Residential	Commercial
Counterotps	No	No
Flooring	Yes	Yes
Wall	No	No

• **WARNING:** This product can expose you to chemicals including crystalline silica which is known to the State of California to cause cancer. For more information go to [www.P65Warnings.ca.gov](http://www.P65Warnings.ca.gov).

**CAUTION:** SILICA DUST HARMFUL IF INHALED. Exposure to silica dust from cutting, grinding, or polishing can cause acute lung injury, silicosis, or cancer. Wear a respirator when cutting, grinding, or polishing. Use wet cutting methods and do not dry cut. Children should not be present during cutting, grinding, or polishing.

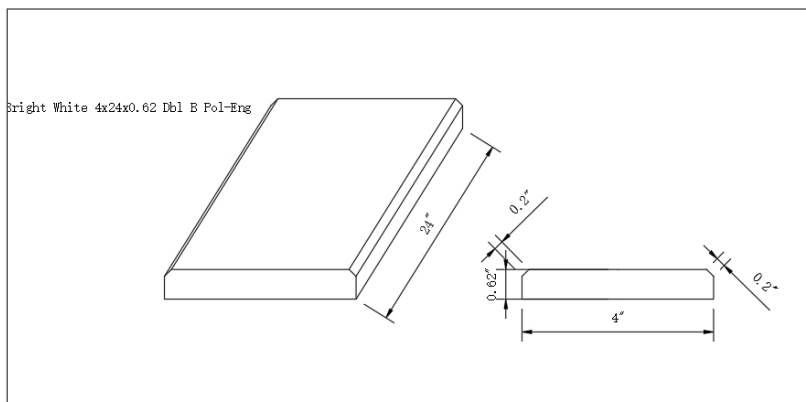
2095 N. Batavia St Orange, CA 92865  
 Phone: (714) 685-7500  
 Fax: (714) 685-7600  
[www.msisurfaces.com](http://www.msisurfaces.com)

**Bright White  
4x24x0.62  
Double Beveled**



**THD2BRIWHI4X24DB**

**DRAWING:**



## SPECS

Size: **4"x24"**

Thickness: **0.62"**

Primary Color: **White-Cool**

Finish: **Polished**

Material Type: **Engineered Marble**

Application	Residential	Commercial
Counterotps	No	No
Flooring	Yes	Yes
Wall	No	No

• **WARNING:** This product can expose you to chemicals including crystalline silica which is known to the State of California to cause cancer. For more information go to [www.P65Warnings.ca.gov](http://www.P65Warnings.ca.gov).

**CAUTION:** SILICA DUST HARMFUL IF INHALED. Exposure to silica dust from cutting, grinding, or polishing can cause acute lung injury, silicosis, or cancer. Wear a respirator when cutting, grinding, or polishing. Use wet cutting methods and do not dry cut. Children should not be present during cutting, grinding, or polishing.

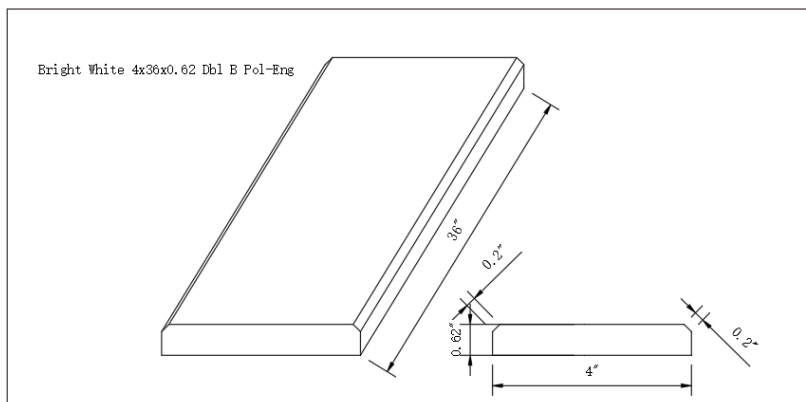
2095 N. Batavia St Orange, CA 92865  
Phone: (714) 685-7500  
Fax: (714) 685-7600  
[www.msisurfaces.com](http://www.msisurfaces.com)

## Bright White 4x36x0.62 Double Beveled



**THD2BRIWHI4X36DB**

### DRAWING:



## SPECS

Size: **4"x36"**

Thickness: **0.62"**

Primary Color: **White-Cool**

Finish: **Polished**

Material Type: **Engineered Marble**

Application	Residential	Commercial
Counterotps	No	No
Flooring	Yes	Yes
Wall	No	No

• **WARNING:** This product can expose you to chemicals including crystalline silica which is known to the State of California to cause cancer. For more information go to [www.P65Warnings.ca.gov](http://www.P65Warnings.ca.gov).

**CAUTION:** SILICA DUST HARMFUL IF INHALED. Exposure to silica dust from cutting, grinding, or polishing can cause acute lung injury, silicosis, or cancer. Wear a respirator when cutting, grinding, or polishing. Use wet cutting methods and do not dry cut. Children should not be present during cutting, grinding, or polishing.

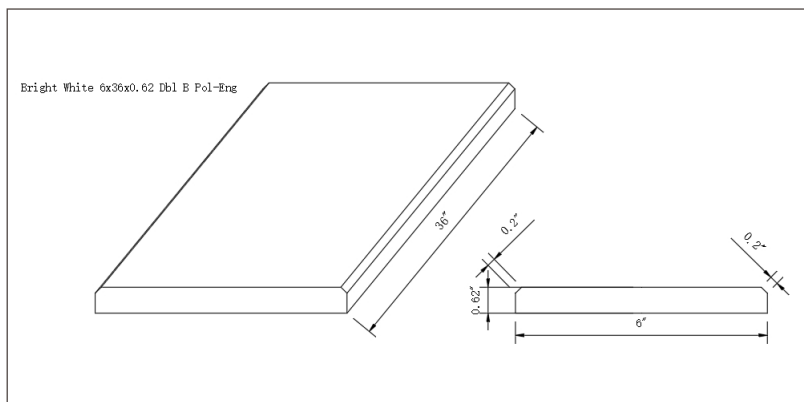
2095 N. Batavia St Orange, CA 92865  
 Phone: (714) 685-7500  
 Fax: (714) 685-7600  
[www.msisurfaces.com](http://www.msisurfaces.com)

**Bright White  
6x36x0.62  
Double Beveled**



**THD2BRIWHI6X36DB**

**DRAWING:**



## SPECS

Size: **6"x36"**

Thickness: **0.62"**

Primary Color: **White-Cool**

Finish: **Polished**

Material Type: **Engineered Marble**

Application	Residential	Commercial
Counterotps	No	No
Flooring	Yes	Yes
Wall	No	No

• **WARNING:** This product can expose you to chemicals including crystalline silica which is known to the State of California to cause cancer. For more information go to [www.P65Warnings.ca.gov](http://www.P65Warnings.ca.gov).

**CAUTION:** SILICA DUST HARMFUL IF INHALED. Exposure to silica dust from cutting, grinding, or polishing can cause acute lung injury, silicosis, or cancer. Wear a respirator when cutting, grinding, or polishing. Use wet cutting methods and do not dry cut. Children should not be present during cutting, grinding, or polishing.

2095 N. Batavia St Orange, CA 92865  
Phone: (714) 685-7500  
Fax: (714) 685-7600  
[www.msisurfaces.com](http://www.msisurfaces.com)

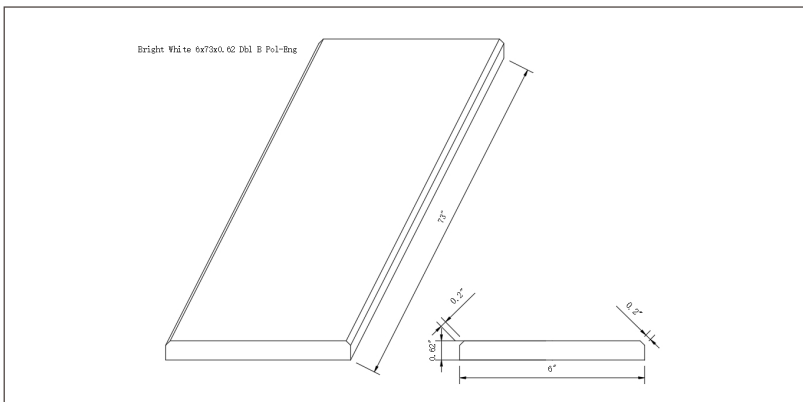


**Bright White**  
**6x73x0.62**  
**Double Beveled**



**THD2BRIWHI6X73DB**

**DRAWING:**



## SPECS

Size: **6"x73"**

Thickness: **0.62"**

Primary Color: **White-Cool**

Finish: **Polished**

Material Type: **Engineered Marble**

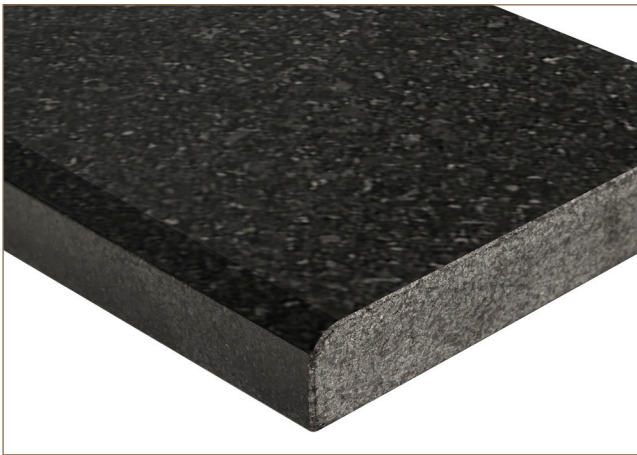
Application	Residential	Commercial
Countertops	No	No
Flooring	Yes	Yes
Wall	No	No

• **WARNING:** This product can expose you to chemicals including crystalline silica which is known to the State of California to cause cancer. For more information go to [www.P65Warnings.ca.gov](http://www.P65Warnings.ca.gov).

**CAUTION:** SILICA DUST HARMFUL IF INHALED. Exposure to silica dust from cutting, grinding, or polishing can cause acute lung injury, silicosis, or cancer. Wear a respirator when cutting, grinding, or polishing. Use wet cutting methods and do not dry cut. Children should not be present during cutting, grinding, or polishing.

2095 N. Batavia St Orange, CA 92865  
 Phone: (714) 685-7500  
 Fax: (714) 685-7600  
[www.msisurfaces.com](http://www.msisurfaces.com)

## Premium Black Honed 4X36X.75 Double Beveled



**SMOT-THDB-PBLK4X36H**

## SPECS

Size: **4"x36"**

Thickness: **0.75"**

Primary Color: **Black**

Finish: **Honed**

Material Type: **Engineered Marble**

Application	Residential	Commercial
Countertops	No	No
Flooring	Yes	Yes
Wall	No	No

• **WARNING:** This product can expose you to chemicals including crystalline silica which is known to the State of California to cause cancer. For more information go to [www.P65Warnings.ca.gov](http://www.P65Warnings.ca.gov).

**CAUTION:** SILICA DUST HARMFUL IF INHALED. Exposure to silica dust from cutting, grinding, or polishing can cause acute lung injury, silicosis, or cancer. Wear a respirator when cutting, grinding, or polishing. Use wet cutting methods and do not dry cut. Children should not be present during cutting, grinding, or polishing.

2095 N. Batavia St Orange, CA 92865

Phone: (714) 685-7500

Fax: (714) 685-7600

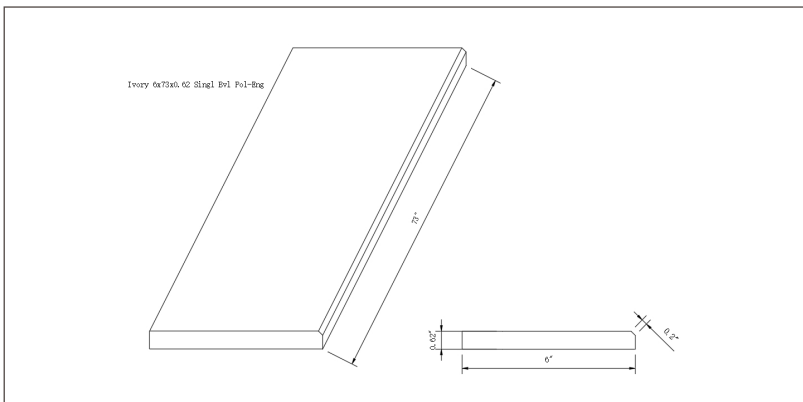
[www.msisurfaces.com](http://www.msisurfaces.com)

## Ivory 6x73x0.62 Single Beveled



**THD2IVO6X73SB**

### DRAWING:



## SPECS

Size: **6"x73"**

Thickness: **0.62"**

Primary Color: **Beige**

Finish: **Polished**

Material Type: **Engineered Marble**

Application	Residential	Commercial
Countertops	No	No
Flooring	Yes	Yes
Wall	No	No

• **WARNING:** This product can expose you to chemicals including crystalline silica which is known to the State of California to cause cancer. For more information go to [www.P65Warnings.ca.gov](http://www.P65Warnings.ca.gov).

**CAUTION:** SILICA DUST HARMFUL IF INHALED. Exposure to silica dust from cutting, grinding, or polishing can cause acute lung injury, silicosis, or cancer. Wear a respirator when cutting, grinding, or polishing. Use wet cutting methods and do not dry cut. Children should not be present during cutting, grinding, or polishing.

2095 N. Batavia St Orange, CA 92865

Phone: (714) 685-7500

Fax: (714) 685-7600

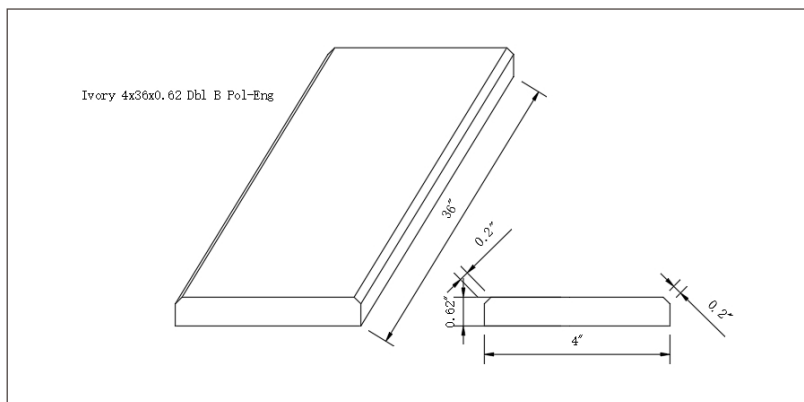
[www.msisurfaces.com](http://www.msisurfaces.com)

## Ivory 4x36x0.62 Double Beveled



**THD2IVO4X36DB**

### DRAWING:



## SPECS

Size: **4"x36"**

Thickness: **0.62"**

Primary Color: **Beige**

Finish: **Polished**

Material Type: **Engineered Marble**

Application	Residential	Commercial
Countertops	No	No
Flooring	Yes	Yes
Wall	No	No

• **WARNING:** This product can expose you to chemicals including crystalline silica which is known to the State of California to cause cancer. For more information go to [www.P65Warnings.ca.gov](http://www.P65Warnings.ca.gov).

**CAUTION:** SILICA DUST HARMFUL IF INHALED. Exposure to silica dust from cutting, grinding, or polishing can cause acute lung injury, silicosis, or cancer. Wear a respirator when cutting, grinding, or polishing. Use wet cutting methods and do not dry cut. Children should not be present during cutting, grinding, or polishing.

2095 N. Batavia St Orange, CA 92865

Phone: (714) 685-7500

Fax: (714) 685-7600

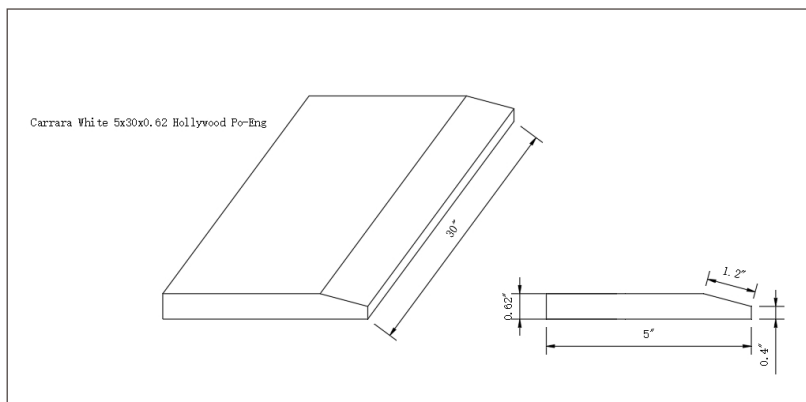
[www.msisurfaces.com](http://www.msisurfaces.com)

## Carrara White 6x73x0.62 Single Beveled



**THD2CARWHI6X73SHL**

### DRAWING:



## SPECS

Size: **6"x73"**

Thickness: **0.62"**

Primary Color: **White-Cool**

Finish: **Polished**

Material Type: **Engineered Marble**

Application	Residential	Commercial
Counterotps	No	No
Flooring	Yes	Yes
Wall	No	No

• **WARNING:** This product can expose you to chemicals including crystalline silica which is known to the State of California to cause cancer. For more information go to [www.P65Warnings.ca.gov](http://www.P65Warnings.ca.gov).

**CAUTION:** SILICA DUST HARMFUL IF INHALED. Exposure to silica dust from cutting, grinding, or polishing can cause acute lung injury, silicosis, or cancer. Wear a respirator when cutting, grinding, or polishing. Use wet cutting methods and do not dry cut. Children should not be present during cutting, grinding, or polishing.

2095 N. Batavia St Orange, CA 92865

Phone: (714) 685-7500

Fax: (714) 685-7600

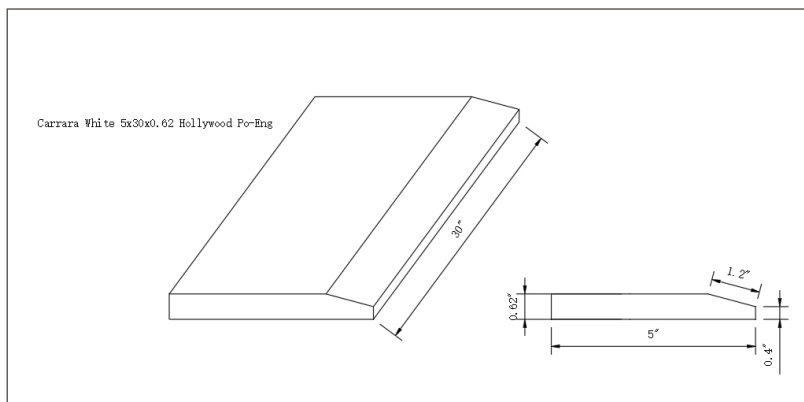
[www.msisurfaces.com](http://www.msisurfaces.com)

## Carrara White 5x30x0.62 Single Hollywood



**THD2CARWHI5X30SHL**

### DRAWING:



## SPECS

Size: **5"x30"**

Thickness: **0.62"**

Primary Color: **White-Cool**

Finish: **Polished**

Material Type: **Engineered Marble**

Application	Residential	Commercial
Countertops	No	No
Flooring	Yes	Yes
Wall	No	No

• **WARNING:** This product can expose you to chemicals including crystalline silica which is known to the State of California to cause cancer. For more information go to [www.P65Warnings.ca.gov](http://www.P65Warnings.ca.gov).

**CAUTION:** SILICA DUST HARMFUL IF INHALED. Exposure to silica dust from cutting, grinding, or polishing can cause acute lung injury, silicosis, or cancer. Wear a respirator when cutting, grinding, or polishing. Use wet cutting methods and do not dry cut. Children should not be present during cutting, grinding, or polishing.

2095 N. Batavia St Orange, CA 92865

Phone: (714) 685-7500

Fax: (714) 685-7600

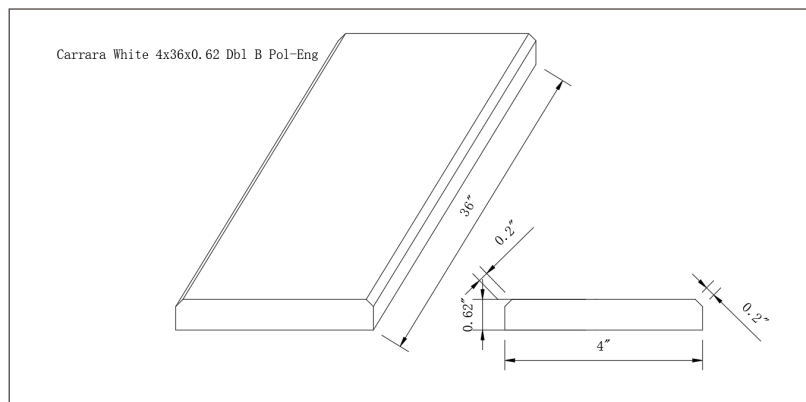
[www.msisurfaces.com](http://www.msisurfaces.com)

## Carrara White 4x36x0.62 Double Beveled



**THD2CARWHI4X36DB**

### DRAWING:



## SPECS

Size: 4"x36"

Thickness: 0.62"

Primary Color: **White-Cool**

Finish: **Polished**

Material Type: **Engineered Marble**

Application	Residential	Commercial
Counterotps	No	No
Flooring	Yes	Yes
Wall	No	No

• **WARNING:** This product can expose you to chemicals including crystalline silica which is known to the State of California to cause cancer. For more information go to [www.P65Warnings.ca.gov](http://www.P65Warnings.ca.gov).

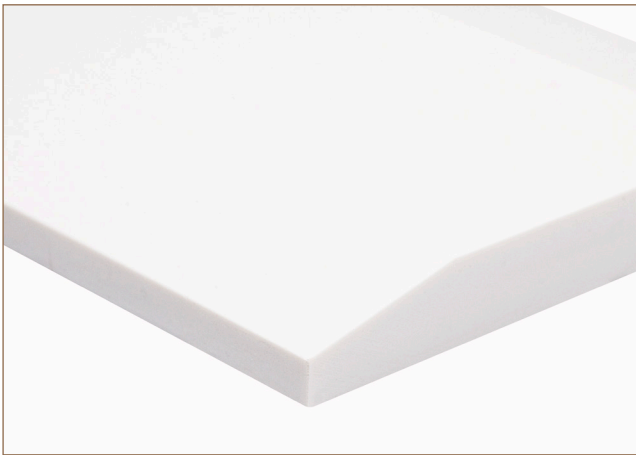
**CAUTION:** SILICA DUST HARMFUL IF INHALED. Exposure to silica dust from cutting, grinding, or polishing can cause acute lung injury, silicosis, or cancer. Wear a respirator when cutting, grinding, or polishing. Use wet cutting methods and do not dry cut. Children should not be present during cutting, grinding, or polishing.

2095 N. Batavia St Orange, CA 92865  
Phone: (714) 685-7500  
Fax: (714) 685-7600  
[www.msisurfaces.com](http://www.msisurfaces.com)

# MSI

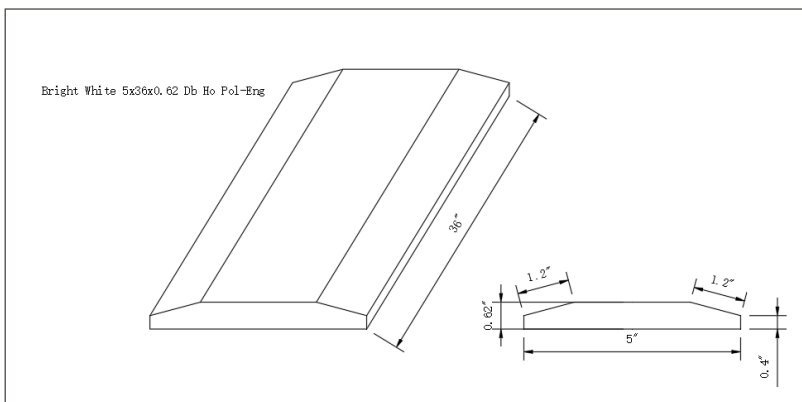
# THRESHOLD AND SILLS

## Bright White 5x36x0.62 Double Hollywood



### THD2BRIWHI5X36DHL

#### DRAWING:



## SPECS

Size: **5"x36"**

Thickness: **0.62"**

Primary Color: **White-Cool**

Finish: **Polished**

Material Type: **Marble**

Application	Residential	Commercial
Counterotps	No	No
Flooring	Yes	Yes
Wall	No	No

• **WARNING:** This product can expose you to chemicals including crystalline silica which is known to the State of California to cause cancer. For more information go to [www.P65Warnings.ca.gov](http://www.P65Warnings.ca.gov).

**CAUTION:** SILICA DUST HARMFUL IF INHALED. Exposure to silica dust from cutting, grinding, or polishing can cause acute lung injury, silicosis, or cancer. Wear a respirator when cutting, grinding, or polishing. Use wet cutting methods and do not dry cut. Children should not be present during cutting, grinding, or polishing.

2095 N. Batavia St Orange, CA 92865

Phone: (714) 685-7500

Fax: (714) 685-7600

[www.msisurfaces.com](http://www.msisurfaces.com)

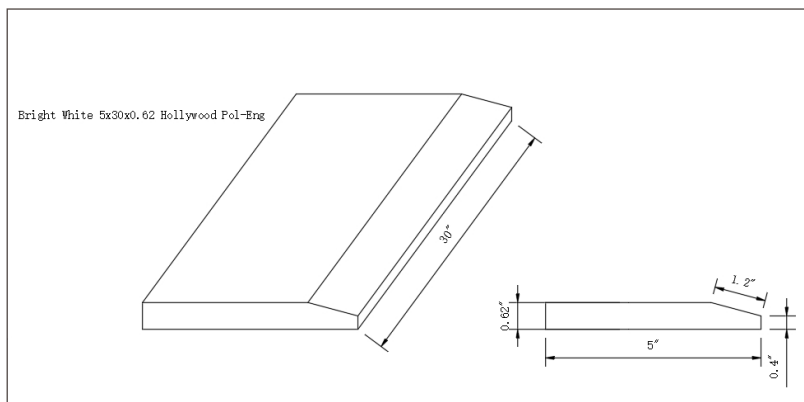


## Bright White 5x30x0.62 Single Hollywood



**THD2BRIWHI5X30SHL**

### DRAWING:



## SPECS

Size: **5"x30"**

Thickness: **0.62"**

Primary Color: **White-Cool**

Finish: **Polished**

Material Type: **Engineered Marble**

Application	Residential	Commercial
Counterotps	No	No
Flooring	Yes	Yes
Wall	No	No

• **WARNING:** This product can expose you to chemicals including crystalline silica which is known to the State of California to cause cancer. For more information go to [www.P65Warnings.ca.gov](http://www.P65Warnings.ca.gov).

**CAUTION:** SILICA DUST HARMFUL IF INHALED. Exposure to silica dust from cutting, grinding, or polishing can cause acute lung injury, silicosis, or cancer. Wear a respirator when cutting, grinding, or polishing. Use wet cutting methods and do not dry cut. Children should not be present during cutting, grinding, or polishing.

2095 N. Batavia St Orange, CA 92865

Phone: (714) 685-7500

Fax: (714) 685-7600

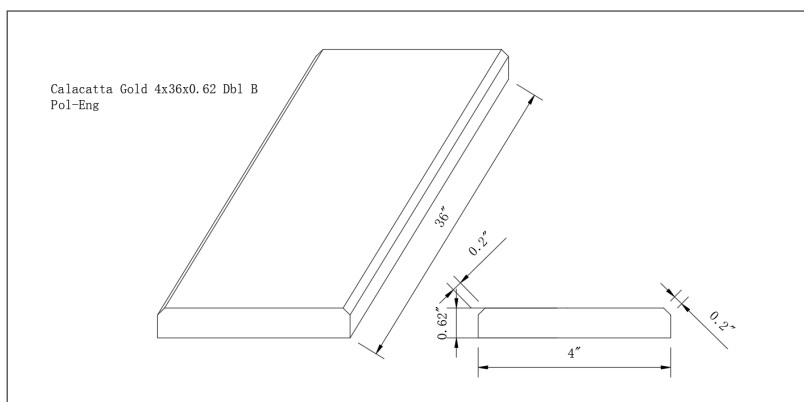
[www.msisurfaces.com](http://www.msisurfaces.com)

## Calacatta Gold 4x36x0.62 Double Beveled



**THD2CALGOL4X36DB**

### DRAWING:



## SPECS

Size: **4"x36"**

Thickness: **0.62"**

Primary Color: **White-Warm**

Finish: **Polished**

Material Type: **Engineered Marble**

Application	Residential	Commercial
Counterotps	No	No
Flooring	Yes	Yes
Wall	No	No

• **WARNING:** This product can expose you to chemicals including crystalline silica which is known to the State of California to cause cancer. For more information go to [www.P65Warnings.ca.gov](http://www.P65Warnings.ca.gov).

**CAUTION:** SILICA DUST HARMFUL IF INHALED. Exposure to silica dust from cutting, grinding, or polishing can cause acute lung injury, silicosis, or cancer. Wear a respirator when cutting, grinding, or polishing. Use wet cutting methods and do not dry cut. Children should not be present during cutting, grinding, or polishing.

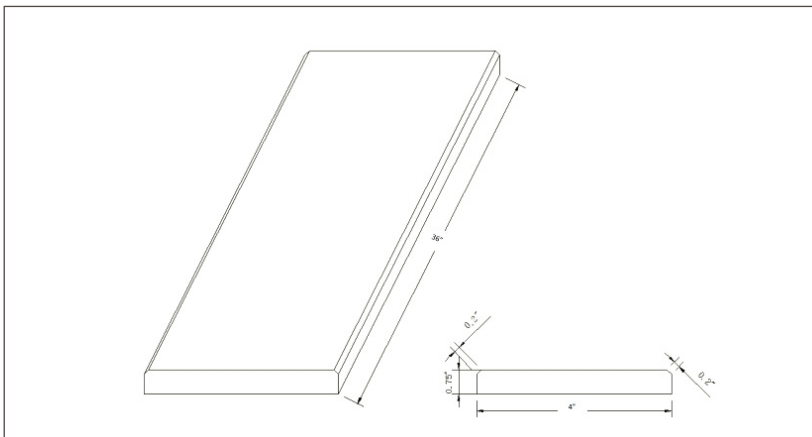
2095 N. Batavia St Orange, CA 92865  
Phone: (714) 685-7500  
Fax: (714) 685-7600  
[www.msisurfaces.com](http://www.msisurfaces.com)

## Premium Black 4X36X.75 Double Beveled Threshold



**SMOT-THDB-PBLK4X36**

### DRAWING:



## SPECS

Size: 4"x36"

Thickness: 0.75"

Primary Color: **Black**

Finish: **Polished**

Material Type: **Granite**

Application	Residential	Commercial
Countertops	No	No
Flooring	Yes	Yes
Wall	No	No

• **WARNING:** This product can expose you to chemicals including crystalline silica which is known to the State of California to cause cancer. For more information go to [www.P65Warnings.ca.gov](http://www.P65Warnings.ca.gov).

**CAUTION:** SILICA DUST HARMFUL IF INHALED. Exposure to silica dust from cutting, grinding, or polishing can cause acute lung injury, silicosis, or cancer. Wear a respirator when cutting, grinding, or polishing. Use wet cutting methods and do not dry cut. Children should not be present during cutting, grinding, or polishing.

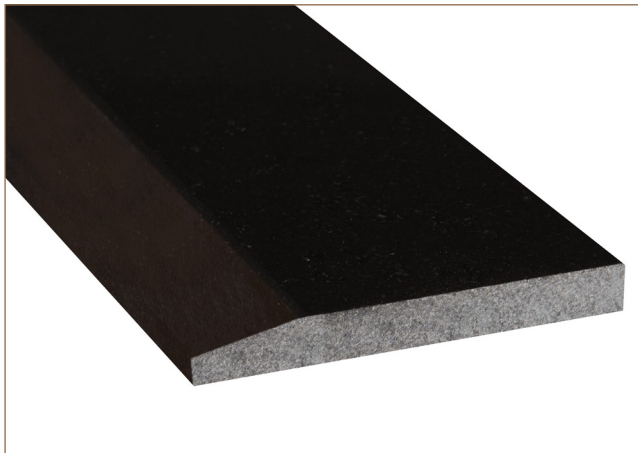
2095 N. Batavia St Orange, CA 92865

Phone: (714) 685-7500

Fax: (714) 685-7600

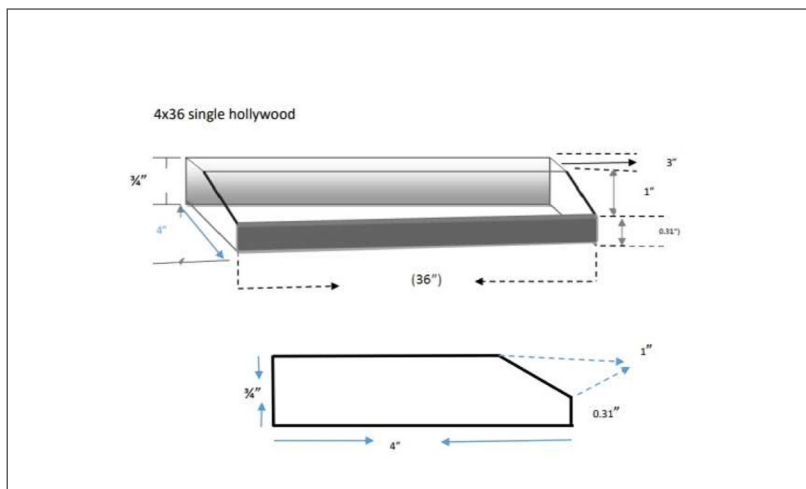
[www.msisurfaces.com](http://www.msisurfaces.com)

## Premium Black 4X36X.75 Single Hollywood Threshold



SMOT-THSH-PBLK4X36

### DRAWING:



## SPECS

Size: 4"x36"

Thickness: 0.75"

Primary Color: **Black**

Finish: **Polished**

Material Type: **Granite**

Application	Residential	Commercial
Countertops	No	No
Flooring	Yes	Yes
Wall	No	No

• **WARNING:** This product can expose you to chemicals including crystalline silica which is known to the State of California to cause cancer. For more information go to [www.P65Warnings.ca.gov](http://www.P65Warnings.ca.gov).

**CAUTION:** SILICA DUST HARMFUL IF INHALED. Exposure to silica dust from cutting, grinding, or polishing can cause acute lung injury, silicosis, or cancer. Wear a respirator when cutting, grinding, or polishing. Use wet cutting methods and do not dry cut. Children should not be present during cutting, grinding, or polishing.

2095 N. Batavia St Orange, CA 92865

Phone: (714) 685-7500

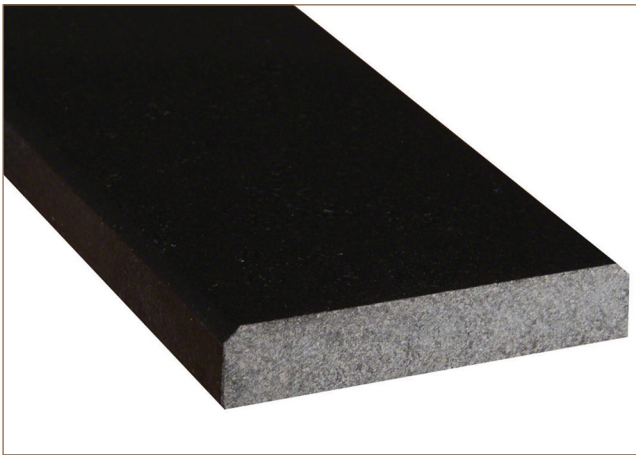
Fax: (714) 685-7600

[www.msisurfaces.com](http://www.msisurfaces.com)

# MSI

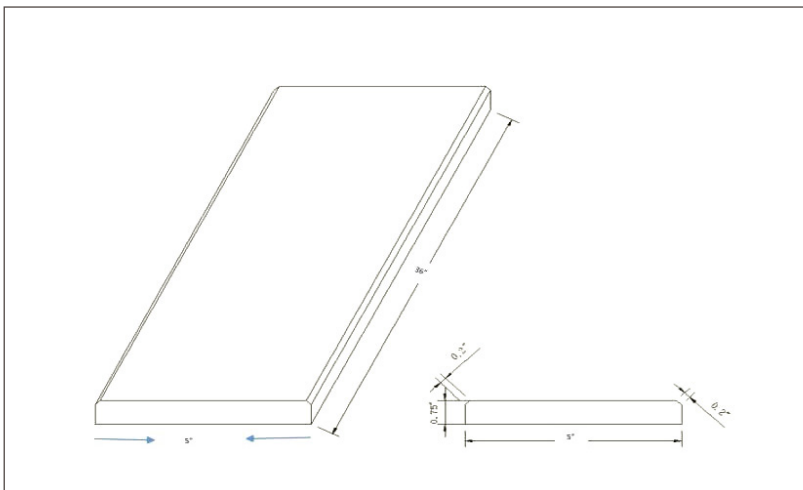
# THRESHOLD AND SILLS

## Premium Black 5x36x.75 Double Beveled Threshold



SMOT-THDB-PBLK5X36

### DRAWING:



## SPECS

Size: **5"x36"**

Thickness: **0.75"**

Primary Color: **Black**

Finish: **Polished**

Material Type: **Granite**

Application	Residential	Commercial
Countertops	No	No
Flooring	Yes	Yes
Wall	No	No

• **WARNING:** This product can expose you to chemicals including crystalline silica which is known to the State of California to cause cancer. For more information go to [www.P65Warnings.ca.gov](http://www.P65Warnings.ca.gov).

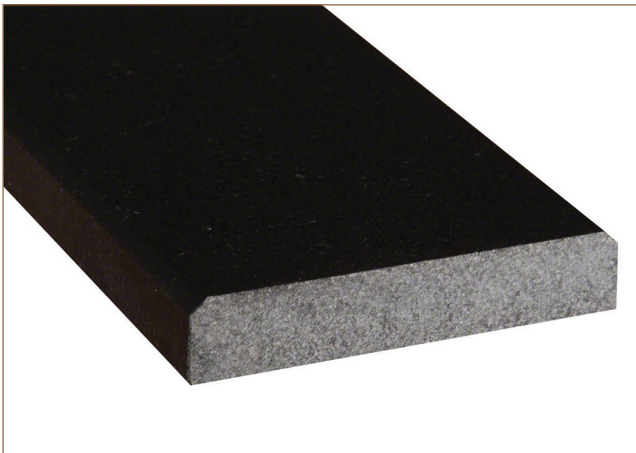
**CAUTION:** SILICA DUST HARMFUL IF INHALED. Exposure to silica dust from cutting, grinding, or polishing can cause acute lung injury, silicosis, or cancer. Wear a respirator when cutting, grinding, or polishing. Use wet cutting methods and do not dry cut. Children should not be present during cutting, grinding, or polishing.

2095 N. Batavia St Orange, CA 92865  
Phone: (714) 685-7500  
Fax: (714) 685-7600  
[www.msisurfaces.com](http://www.msisurfaces.com)

# MSI

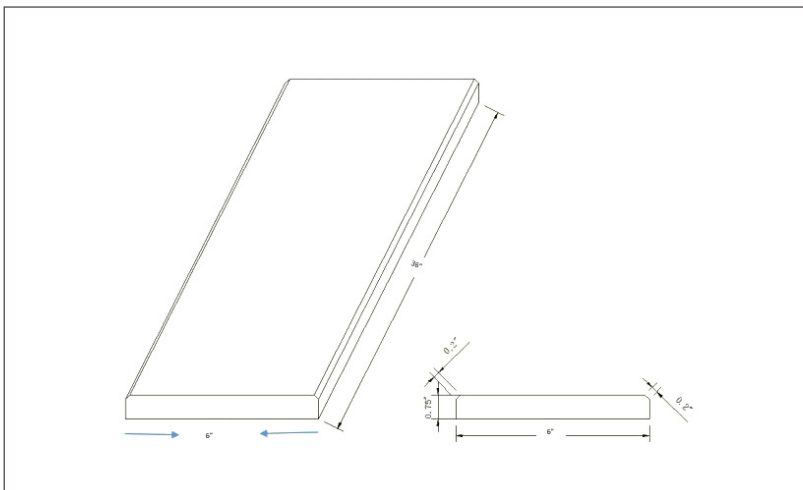
# THRESHOLD AND SILLS

## Premium Black 6x36x.75 Double Hollywood Threshold



SMOT-THDB-PBLK6X36

### DRAWING:



## SPECS

Size: **6"x36"**

Thickness: **0.75"**

Primary Color: **Black**

Finish: **Polished**

Material Type: **Granite**

Application	Residential	Commercial
Counterotps	No	No
Flooring	Yes	Yes
Wall	No	No

• **WARNING:** This product can expose you to chemicals including crystalline silica which is known to the State of California to cause cancer. For more information go to [www.P65Warnings.ca.gov](http://www.P65Warnings.ca.gov).

**CAUTION:** SILICA DUST HARMFUL IF INHALED. Exposure to silica dust from cutting, grinding, or polishing can cause acute lung injury, silicosis, or cancer. Wear a respirator when cutting, grinding, or polishing. Use wet cutting methods and do not dry cut. Children should not be present during cutting, grinding, or polishing.

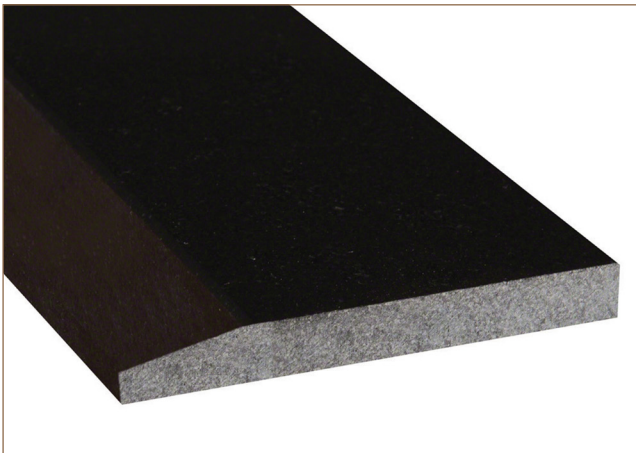
2095 N. Batavia St Orange, CA 92865

Phone: (714) 685-7500

Fax: (714) 685-7600

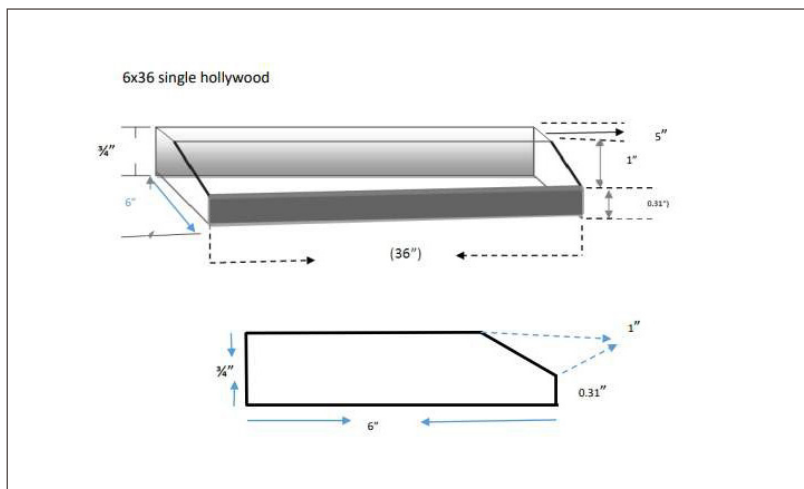
[www.msisurfaces.com](http://www.msisurfaces.com)

## Premium Black 6x36x.75 Single Hollywood Threshold



SMOT-THSH-PBLK6X36

### DRAWING:



## SPECS

Size: **6"x36"**

Thickness: **0.75"**

Primary Color: **Black**

Finish: **Polished**

Material Type: **Granite**

Application	Residential	Commercial
Counterotps	No	No
Flooring	Yes	Yes
Wall	No	No

• **WARNING:** This product can expose you to chemicals including crystalline silica which is known to the State of California to cause cancer. For more information go to [www.P65Warnings.ca.gov](http://www.P65Warnings.ca.gov).

**CAUTION:** SILICA DUST HARMFUL IF INHALED. Exposure to silica dust from cutting, grinding, or polishing can cause acute lung injury, silicosis, or cancer. Wear a respirator when cutting, grinding, or polishing. Use wet cutting methods and do not dry cut. Children should not be present during cutting, grinding, or polishing.

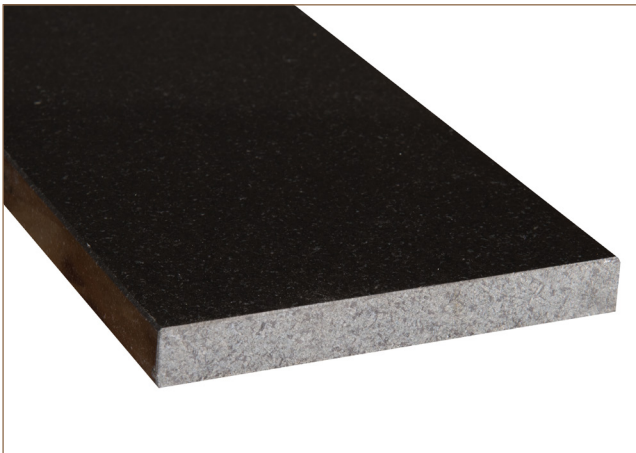
2095 N. Batavia St Orange, CA 92865

Phone: (714) 685-7500

Fax: (714) 685-7600

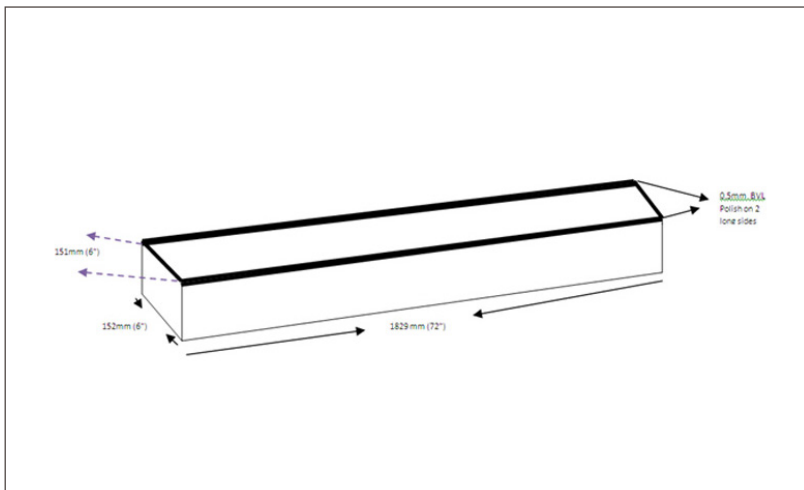
[www.msisurfaces.com](http://www.msisurfaces.com)

## Premium Black 6X72X.75 Double Beveled Sill



SMOT-SILL-PBLK6X72

### DRAWING:



## SPECS

Size: **6"x72"**

Thickness: **0.75"**

Primary Color: **Black**

Finish: **Polished**

Material Type: **Granite**

Application	Residential	Commercial
Counterops	No	No
Flooring	Yes	Yes
Wall	No	No

• **WARNING:** This product can expose you to chemicals including crystalline silica which is known to the State of California to cause cancer. For more information go to [www.P65Warnings.ca.gov](http://www.P65Warnings.ca.gov).

**CAUTION:** SILICA DUST HARMFUL IF INHALED. Exposure to silica dust from cutting, grinding, or polishing can cause acute lung injury, silicosis, or cancer. Wear a respirator when cutting, grinding, or polishing. Use wet cutting methods and do not dry cut. Children should not be present during cutting, grinding, or polishing.

2095 N. Batavia St Orange, CA 92865

Phone: (714) 685-7500

Fax: (714) 685-7600

[www.msisurfaces.com](http://www.msisurfaces.com)