



Making Dream Surfaces Attainable

AcquaLuxe™ FAUCETS

LAVATORY FAUCET

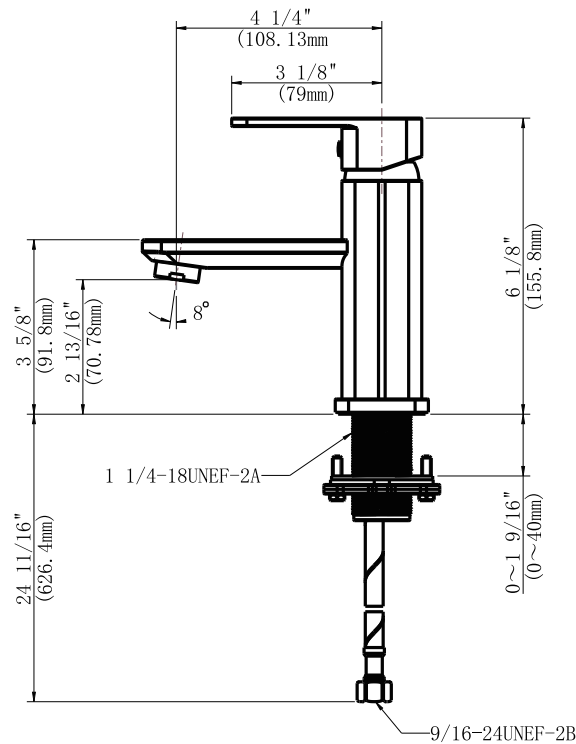
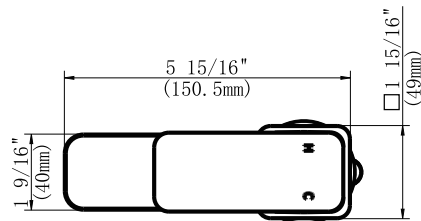
Specification of Item NO.#FAU-B1HCR4403-401

FEATURES

Ceramic Cartridge • Metal Lever Handle

Max Flow Rate: 1.2GPM(4.5LPM) at 60PSI (ASME.A112.18.1M)

Finish: Chrome Finish



APPROVAL: Meets or exceeds the following:
*ANSI/ASME A112.18.1M
*ANSI/NSF 61-Sec.9
*IAPMO/UPC