

MSI

Making Dream Surfaces Attainable

AcquaLuxe™ FAUCETS

LAVATORY FAUCET

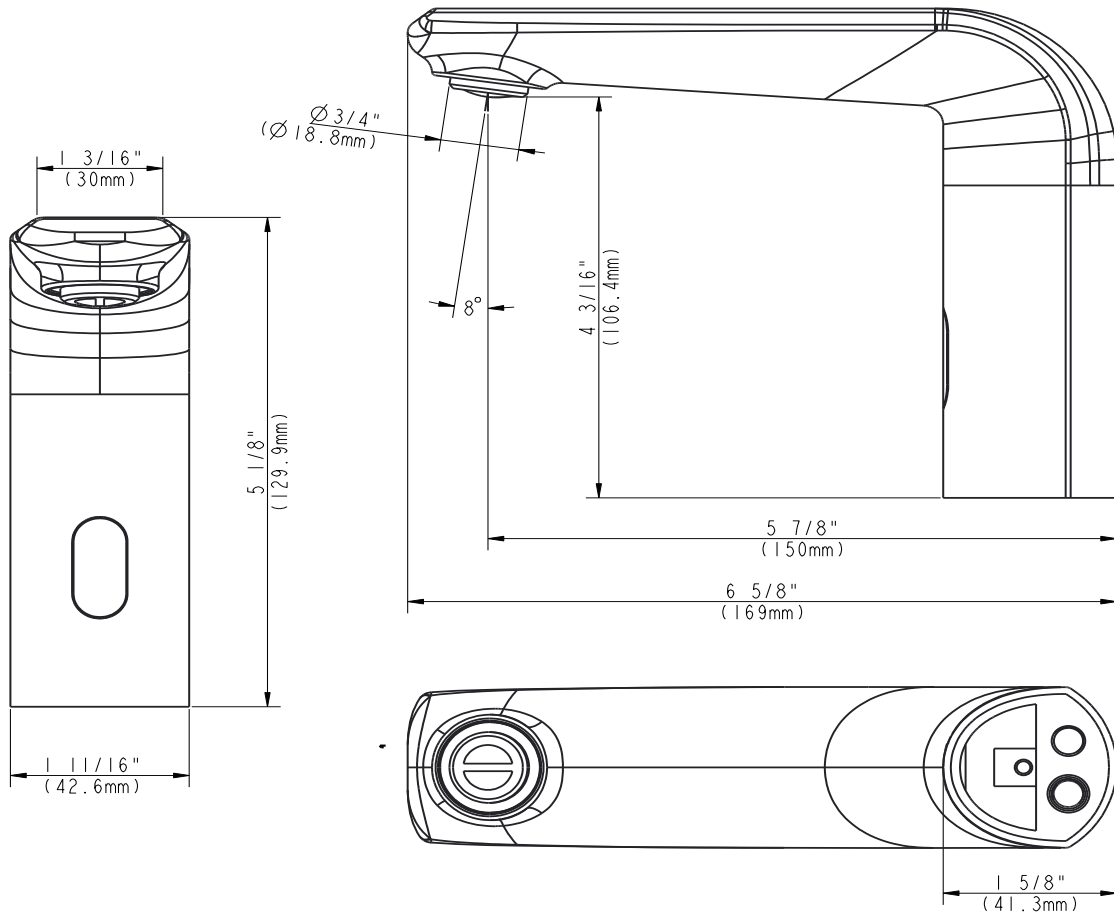
Specification of Item NO.#FAU-BTFCR420-811

FEATURES

Touch Free Infrared Sensor

Max Flow Rate: 0.5GPM(1.9LPM) at 60PSI (ASME.A112.18.1M)

Finish: Chrome Finish



APPROVAL: Meets or exceeds the following: *ANSI/ASME A112.18.1m, •ANSI/NSF 61-Sec.9, *IAPMO/UPC