

# MSI

Making Dream Surfaces Attainable

## AcquaLuxe™ FAUCETS

### KITCHEN FAUCET

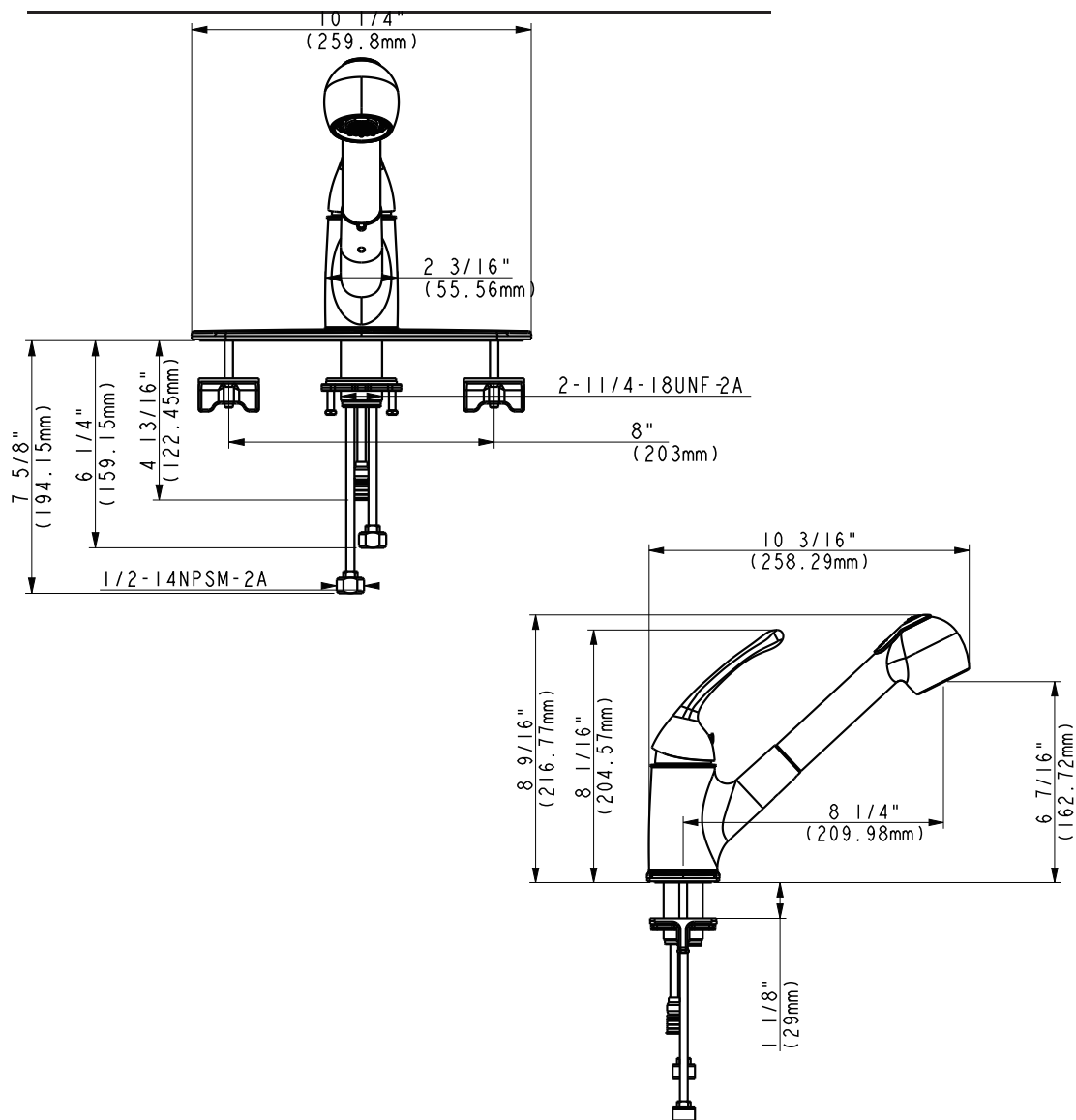
Specification of Item NO.#FAU-K1HCR8301-803

#### FEATURES

Ceramic Cartridge • Metal Lever Handle

**Max Flow Rate:** 1.8GPM(6.8LPM) at 60PSI (ASME.A112.18.1M)

**Finish:** Chrome Finish



**APPROVAL:** Meets or exceeds the following: \*ANSI/ASME A112.18.1m, \*ANSI/NSF 61-Sec.g, \*IAPMO/CUPC