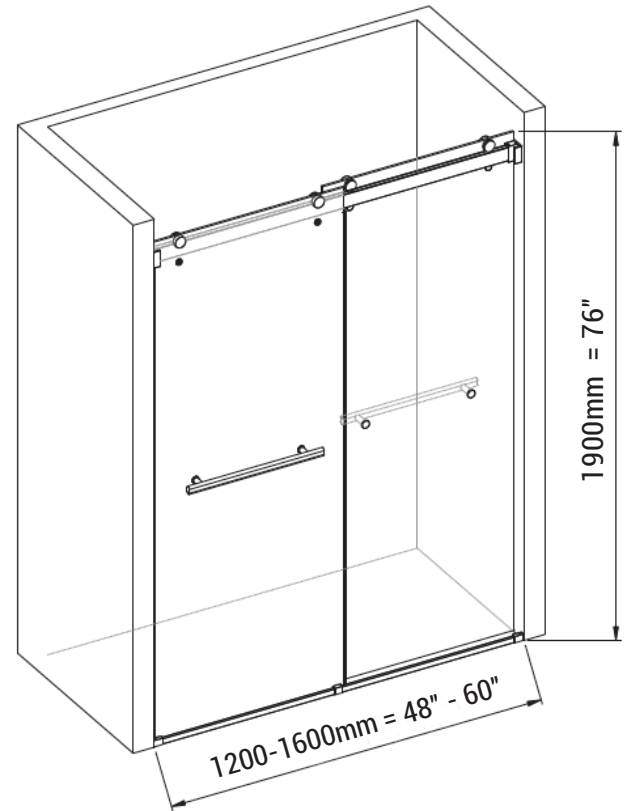


Shower Door - PWS 03A42

10mm Tempered Glass • Stainless Steel Hardware-SS304
Two Sliding Doors/Bypass



Two finishes available:



Chrome



Brushed Nickel

Multiple configurations available:

- Deluxe quality rollers style and brackets.
- Superior bottom guide system.
- ANSI tempered clear glass.
- Glass thickness: clear 3/8" (10mm)
- Bypass/Two sliding doors opening either left or right.
- Integrated door catch.
- Nano coating on glass , special order only.

Handle Options:

