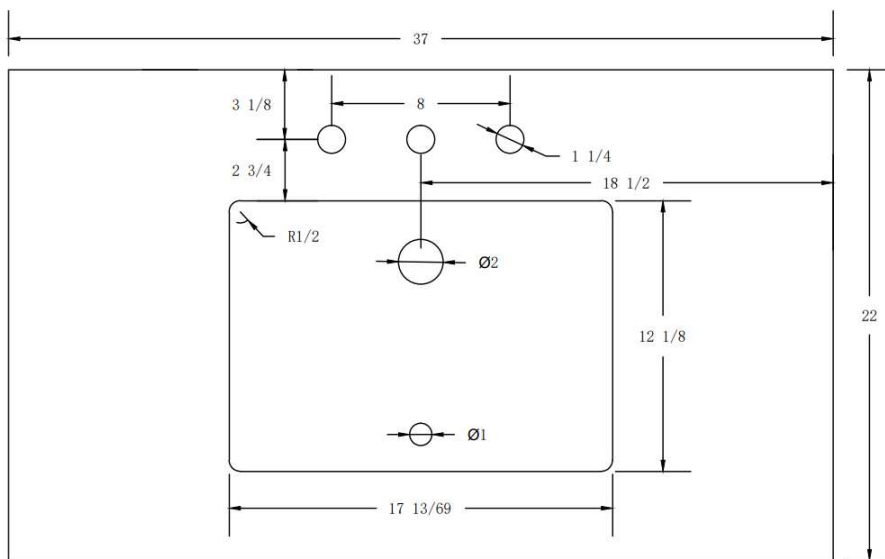


# Specification for Vanity Top Size 37"x22"

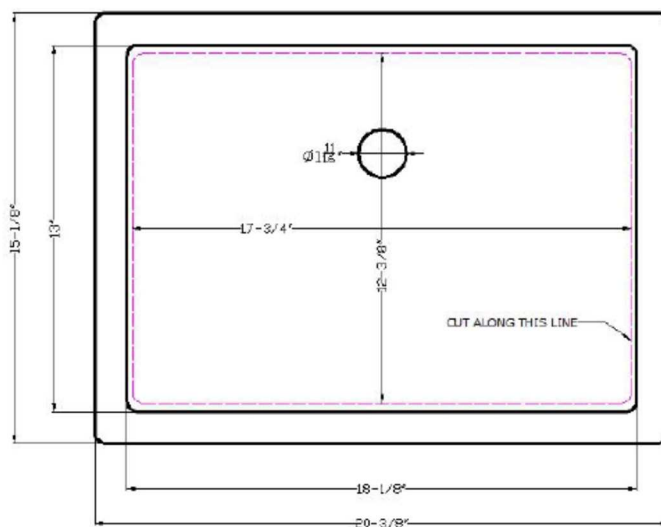
## FEATURES:

- Vanity Top size: 37"x22"x3/4"
- Includes 4" backsplash
- cUPC certified white rectangle sink pre-installed with built-in overflow protection
- Sink depth: 7.5" (190mm)
- 3 pre-drilled holes for 8" centerset faucet
- Flat edge

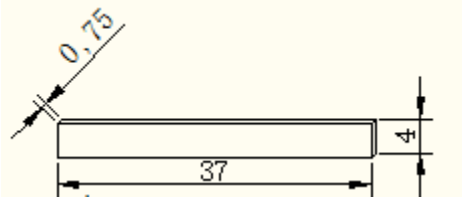
## Drawing – Vanity Top



## Drawing – Sink



## Drawing – Backsplash



### Available Colors:

<u>Color</u>	<u>Material</u>	<u>Item ID</u>
Argento Grigio	Granite	VSL-ARGGRI3722-2CM
Carrara Sky	Engineered Marble	VSL-CARSKY3722-2CM
Iced White	Engineered Marble	VSL-ICEWHI3722-2CM
Sparkling Gray	Engineered Marble	VSL-SPAGRY3722-2CM
Cosmic Sand	Engineered Marble	VSL-COSSAN3722-2CM
Drifting Fog	Engineered Marble	VSL-DRIFOG3722-2CM
Calacatta Nowy	Inkjet Print Engineered Marble	VSL-CALNOW3722-2CM
Calacatta Lumas	Inkjet Print Engineered Marble	VSL-CALLUM3722-2CM